

LWC-700/720 Series Low Level Cut Off and Pump Up Control

- ▶ Internal Mounting
- ▶ Meets CSD1 Requirements
- ▶ U.L. Recognized "Limit Control"
- ▶ Compact Size
- ▶ Options Include: Manual Reset, Power Outage Feature, and Test Feature

Gems LWC-700 is designed for boiler low-water cutoff protection, and offers the most compact internally mounting package for boiler and steam generators. The 720 Series includes the low-water cutoff function and adds Pump Up control for more sophisticated and convenient automation. For added safety, the sensor assembly incorporates redundant reed switches at the actuation level. The LWC-700 and LWC-720 Series are ideal for R.O., distilled, or deionized water systems.

Optional Features:

- Power Outage feature allows for resets after nuisance power outages;
- Reset Button feature to be used when device has been deactivated due to low water condition. A Reset is activated only after water has returned to normal level.

Specifications

Wetted Materials	
Stem, Mounting, Collars	Brass or Stainless Steel
Float Assembly	316 Stainless Steel
Pressure Rating	150 PSI (1034 KPA)
Temperature Range	0°F to 305°F (-18°C to 151°C); 350°F (176°C) max. intermittent
Float Acceptable Overtravel	1/16" to 1/4" (1.6 mm to 6.5 mm) on Closure; 1/16" (1.6 mm) min. on Opening
Mounting Attitude	
Mounting Attitude	Vertical, J-Box Up
Controller	
Contacts	SPDT, Dry Contacts
Contact Ratings	10A @ 120/220/240 VAC Resistive (120°F/49°C) 1A @ 120, 208/240, 240 Resistive (150°F/66°C) 1/3 HP @ 120, 208/240, 240 VAC
Secondary Circuit	2.3 VAC RMS, <1 mA
Sensitivity	10K
Ambient Temperature	-40°F to +150°F (-40°C to +66°C)
Time Delay	0.5 Seconds on Rising Level
Approvals	UL Recognized per UL-353, Limit Controls (for supply voltages of 120 VAC or less)

Mounting Types

Type 1 1" NPT	Type 2 1-5/16"-12UNF-2A ¹

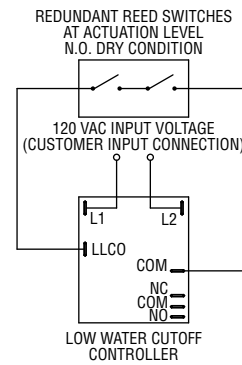
Notes:
1. Mounting plug dimensions per SAE J1926.



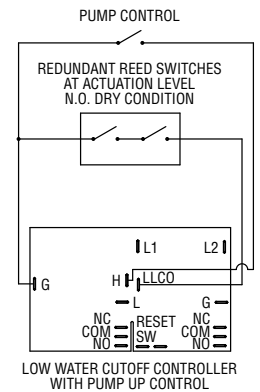
720 Series shown

Switch Actuation

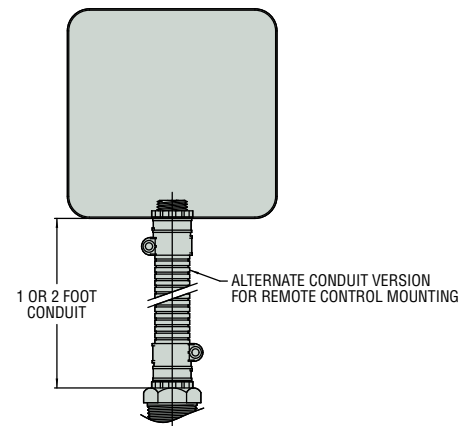
700 Series



720 Series

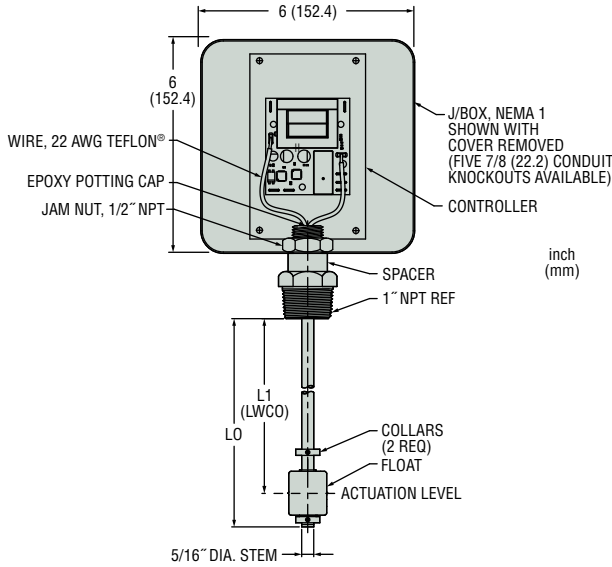


Conduit Option

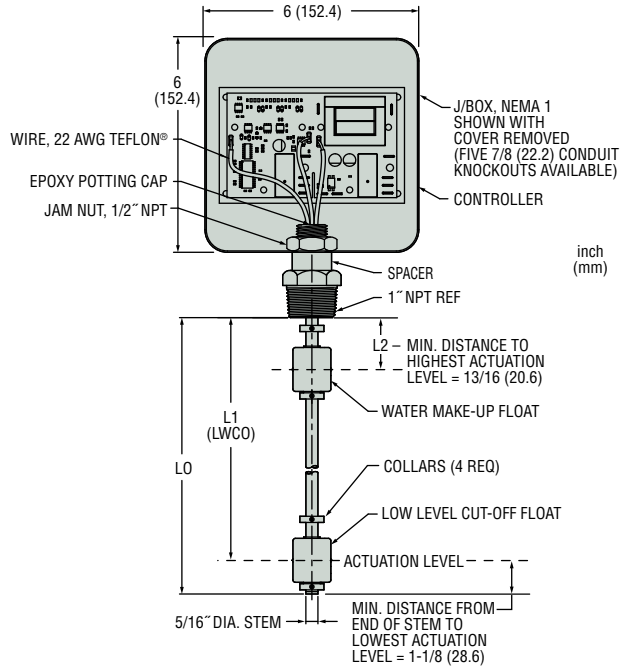


Dimensions

700 Series



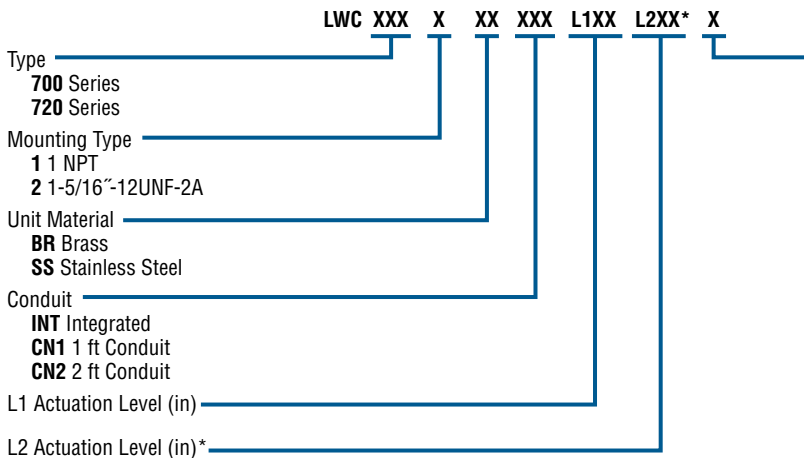
720 Series



Note: Actuation levels are calibrated on ascending fluid levels.

How to Order

Use the **Bold** characters from the chart below to construct a product code.



* Used for 720 Series only; leave blank for 700 Series.

- Actuation level distances and LO (Length Overall) are measured from the inner surface of the mounting plug.
- $LO = L1 + 1-1/8"$ (28.6mm)
- L2 may be no less than 2 inches (50.8mm) from L1 actuation level.

Notes:

- Dimensions based on liquid specific gravity of 1.0.
- Tolerance on actuation levels is $\pm 1/8"$ (3.2mm).

Control Options

700 Series

Control Options			Part No. Code
N.C. Pushbutton	Power Outage	Test Feature	
•			C
	•		E
		•	B
•	•		F
•		•	Y
	•	•	Z
•	•	•	A

720 Series

Control Options			Part No. Code
N.C. Pushbutton	Power Outage	Test Feature	
•			S
	•		K
		•	B
•	•		G
•		•	Y
	•	•	Z
•	•	•	A