

PROVU PD6400 High Voltage and Current Meter Instruction Manual



PROVU®
SERIES



High Voltage & Current

- One High Voltage and One High Current Input
- 0-300 VAC or VDC Voltage Input
- 0-5 AAC or ADC Current Input
- Displays Voltage and Current Simultaneously
- Multiplication for Apparent Power Calculation
- Dual-Line Display
- NEMA 4X and IP65 Rated Front Panel
- UL Listed & CE Marked
- Display Features 0.6" & 0.46" Digits
- Six Full Digits on Each Line
- Optional Superluminous Sunlight Readable Display
- Free USB Programming Software & Cable
- 2 or 4 Relays + Isolated 4-20 mA Output Options
- USB, RS-232, & RS-485 Serial Communication Options
- External 4-Relay & Digital I/O Expansion Modules
- Input Power Options Include 85-265 VAC or 12-24 VDC
- Isolated 24 VDC @ 200 mA Transmitter Power Supply
- Modbus® RTU Communication Protocol Standard

Order from:

C A Briggs Company

622 Mary Street; Suite 101
Warminster, PA 18974

Phone: 267-673-8117 - Fax: 267-673-8118




Sales@cabriggs.com - www.cabriggs.com

**PRECISION
DIGITAL**

www.predig.com

Disclaimer

The information contained in this document is subject to change without notice. Precision Digital makes no representations or warranties with respect to the contents hereof and specifically disclaims any implied warranties of merchantability or fitness for a particular purpose.

| | |
|---|---|
|  CAUTION <i>Read complete instructions prior to installation and operation of the meter.</i> |  WARNING! <i>Risk of electric shock or personal injury.</i> |
|  WARNING! <i>This product is not recommended for life support applications or applications where malfunctioning could result in personal injury or property loss. Anyone using this product for such applications does so at his/her own risk. Precision Digital Corporation shall not be held liable for damages resulting from such improper use.</i> | |

Limited Warranty

Precision Digital Corporation warrants this product against defects in material or workmanship for the specified period under “Specifications” from the date of shipment from the factory. Precision Digital’s liability under this limited warranty shall not exceed the purchase value, repair, or replacement of the defective unit.

Registered Trademarks

PROVU® and MeterView® Pro are registered trademarks of Precision Digital Corporation. Modbus® is a Registered Trademark of Schneider Automation Inc. All other trademarks mentioned in this document are the property of their respective owners.

© 2017 Precision Digital Corporation. All rights reserved.

www.predig.com

Table of Contents

| | | | |
|--|-----------|---|-----------|
| Table of Contents | 3 | Setting the Relay Operation (rELAY) | 26 |
| Table of Figures | 4 | Setting the Relay Assignment (R55, iLn) | 26 |
| Introduction | 4 | Setting the Relay Action | 27 |
| Ordering Information | 5 | Programming Set and Reset Points | 27 |
| Specifications | 6 | Setting Fail-Safe Operation | 27 |
| General | 6 | Programming Time Delay | 27 |
| Voltage and Current Inputs | 6 | Relay Action for Loss of Input (Loop Break) | 27 |
| Relays | 7 | Relay and Alarm Operation Diagrams | 28 |
| Isolated 4-20 mA Transmitter Output | 7 | High Alarm Operation (Set > Reset) | 28 |
| Modbus® RTU Serial Communications | 7 | Low Alarm Operation (Set < Reset) | 28 |
| MeterView Pro | 8 | High Alarm with Fail-Safe Operation (Set > Reset) | 28 |
| Compliance Information | 8 | Low Alarm with Fail-Safe Operation (Set < Reset) | 28 |
| Safety | 8 | Relay Sampling Operation | 29 |
| Electromagnetic Compatibility | 8 | Signal Loss or Loop Break Relay Operation | 29 |
| Safety Information | 9 | Time Delay Operation | 30 |
| Installation | 9 | Relay Operation Details | 31 |
| Unpacking | 9 | Overview | 31 |
| Panel Mounting Instructions | 9 | Relays Auto Initialization | 31 |
| Mounting Dimensions | 10 | Fail-Safe Operation | 31 |
| Connections | 10 | Front Panel LEDs | 31 |
| Connectors Labeling | 10 | Latching and Non-Latching Relay Operation | 32 |
| Power Connections | 11 | Non-Latching Relay (Rout) | 32 |
| Signal Connections | 11 | Non-Latching Relay (R-nn, Rn) | 32 |
| Voltage Input | 11 | Latching Relay (LRelCH) | 32 |
| Current Input | 11 | Latching Relay (Lr-Lr) | 32 |
| Current and Voltage Input | 12 | Acknowledging Relays | 33 |
| Modbus RTU Serial Communications | 12 | Pump Alternation Control Applications (RLtErn) | 33 |
| Relay Connections | 13 | Setting Up the Interlock Relay (Force On) Feature | 33 |
| Switching Inductive Loads | 13 | Interlock Relay Operation Example | 34 |
| F4 Digital Input Connections | 14 | Scaling the 4-20 mA Analog Output (Rout) | 34 |
| 4-20 mA Output Connections | 14 | Reset Menu (rESEt) | 34 |
| Analog Output Transmitter Power Supply | 14 | Control Menu (Contrl) | 34 |
| External Relay, Analog Output, & Digital I/O | 14 | Setting Up the Password (PASS) | 35 |
| Connections | 15 | Protecting or Locking the Meter | 35 |
| Interlock Relay Feature | 15 | Making Changes to a Password Protected Meter | 35 |
| Setup and Programming | 16 | Disabling Password Protection | 35 |
| Front Panel Buttons and Status LED Indicators | 16 | Advanced Features Menu | 36 |
| MeterView® Pro Software | 17 | Advanced Features Menu & Display Messages | 36 |
| MeterView Pro Installation | 17 | Noise Filter (FiltEr) | 38 |
| Display Functions & Messages | 18 | Noise Filter Bypass (bYPASS) | 38 |
| Main Menu | 20 | Rounding Feature (round) | 38 |
| Setting Numeric Values | 20 | Modbus RTU Serial Communications (SEr, RL) | 39 |
| Setting Up the Meter (SEtUP) | 21 | Select Menu (SELEct) | 39 |
| Setting the Decimal Point (dEc Pt) | 21 | Multi-Point Linearization (LInER) | 40 |
| Setting the Input Calibration (InCAL) | 22 | Math Function (nnRth) | 40 |
| Multi-Point Linearization (LInER) | 22 | Math Constants (ConSt) | 40 |
| Scaling the Meter without a Signal Source | 22 | Low-Flow Cutoff (LutOFF) | 40 |
| Scaling the Meter for Channel A (SErL-A) | 22 | Analog Output Programming (RoutPr) | 40 |
| Scaling the Meter for Channel V (SErL-V) | 22 | Programmable Function Keys User Menu (uSEr) | 41 |
| Error Message (Error) | 23 | Internal Calibration (iCAL) | 43 |
| Calibrating the Meter with External Source | 23 | Meter Operation | 45 |
| Calibrating the Meter for Channel A (CAL-A) | 23 | Front Panel Buttons Operation | 45 |
| Calibrating the Meter for Channel V (CAL-V) | 23 | Function Keys Operation | 45 |
| Setting the Display Parameter & Intensity (dSPLY) | 24 | F4 Operation | 45 |
| Setting the Input Units or Custom Tags (unIt5) | 25 | Maximum/Minimum Readings | 45 |
| | | Troubleshooting | 46 |
| | | Diagnostics Menu (dAL) | 46 |

| | | | |
|--|-----------|---|-----------|
| Determining Software Version ----- | 46 | Troubleshooting Tips ----- | 49 |
| Reset Meter to Factory Defaults ----- | 46 | EU Declaration of Conformity ----- | 51 |
| Factory Defaults & User Settings ----- | 47 | | |

Table of Figures

| | | | |
|--|----|--|----|
| Figure 1. 1/8 DIN Panel Cutout Dimensions..... | 9 | Figure 12. AC Current and Voltage Connections..... | 12 |
| Figure 2. Panel Mounting Details..... | 9 | Figure 13. AC Current Transformer and Voltage | |
| Figure 3. Meter Dimensions - Side View | 10 | Connections | 12 |
| Figure 4. Meter Dimensions - Top View | 10 | Figure 14. DC Current and Voltage Connections..... | 12 |
| Figure 5. Connector Labeling for Fully Loaded | | Figure 15. Relay Connections..... | 13 |
| PD6400 | 10 | Figure 16. AC and DC Loads Protection | 13 |
| Figure 6. Power Connections..... | 11 | Figure 17. Low Voltage DC Loads Protection | 13 |
| Figure 7. AC Voltage Input Connection..... | 11 | Figure 18. F4 Digital Input Connections | 14 |
| Figure 8. DC Voltage Input Connections..... | 11 | Figure 19. 4-20 mA Output Connections..... | 14 |
| Figure 9. AC Current Connections | 11 | Figure 20. Interlock Connections | 15 |
| Figure 10. AC Current Transformer Connections | 11 | Figure 21. Acknowledge Relays w/Function Key or | |
| Figure 11. DC Current Connections | 12 | Digital Input | 33 |

Introduction

The PROVU® PD6400 is a multipurpose, easy-to-use high voltage and current input meter ideal for measuring direct voltage and current or the output from voltage shunts and current transformers. It has one 0-300 VAC or VDC voltage input and one 0-5 AAC or ADC current input. The meter may be used with a single voltage or current input, or to measure both simultaneously. A math channel P calculates apparent power as the product of the voltage and current inputs.

The PD6400 can display voltage, current, and apparent power. The dual line display can display any two parameters simultaneously, or can alternate between any parameters as well as their programmable units and tags. Its superluminous LED digits make it easily readable in smoke, dust, fog, and, with the optional SunBright® display, even direct sunlight.

A fully loaded PD6400 meter has the following: four SPDT relays, 4-20 mA output, and a 24 VDC power supply. The PD6400 capabilities may be enhanced by adding the following external expansion modules: four SPST relays; creating an eight-relay meter, two digital I/O modules with four inputs and four outputs each, serial communication adapters for use with MeterView Pro or Modbus RTU, and a dual 4-20 mA expansion module; for a total of three 4-20 mA analog outputs.

Ordering Information

Standard Models

| 85-265 VAC Model | 12-24 VDC Model | Options Installed |
|--|-----------------|-------------------------------------|
| PD6400-6R0 | PD6400-7R0 | No options |
| PD6400-6R2 | PD6400-7R2 | 2 relays (PD1102*) |
| PD6400-6R3 | PD6400-7R3 | 4-20 mA output (PD1103*) |
| PD6400-6R4 | PD6400-7R4 | 4 relays (PD1104*) |
| PD6400-6R5 | PD6400-7R5 | 2 relays & 4-20 mA output (PD1105*) |
| PD6400-6R7 | PD6400-7R7 | 4 relays & 4-20 mA output (PD1107*) |
| *Model number for replacement option card. | | |

SunBright Display Models

| 85-265 VAC Model | 12-24 VDC Model | Options Installed |
|--|-----------------|-------------------------------------|
| PD6400-6H0 | PD6400-7H0 | No options |
| PD6400-6H2 | PD6400-7H2 | 2 relays (PD1102*) |
| PD6400-6H3 | PD6400-7H3 | 4-20 mA output (PD1103*) |
| PD6400-6H4 | PD6400-7H4 | 4 relays (PD1104*) |
| PD6400-6H5 | PD6400-7H5 | 2 relays & 4-20 mA output (PD1105*) |
| PD6400-6H7 | PD6400-7H7 | 4 relays & 4-20 mA output (PD1107*) |
| *Model number for replacement option card. | | |

Accessories

| Model | Description |
|-----------|---|
| PDA1002 | DIN rail mounting kit for two expansion modules |
| PDA1004 | 4 SPST (Form A) relays |
| PDA1011 | Dual 4-20 mA expansion module |
| PDA1044 | 4 digital inputs & 4 digital outputs (2 may be connected) |
| PDA1232 | RS-232 serial adapter |
| PDA1485 | RS-485 serial adapter |
| PDA7485-I | RS-232 to RS-422/485 isolated converter |
| PDA7485-N | RS-232 to RS-422/485 non-isolated converter |
| PDA8232-N | USB to RS-232 non-isolated converter |
| PDA8485-I | USB to RS-422/485 isolated converter |
| PDA8485-N | USB to RS-422/485 non-isolated converter |
| PDX6901 | Suppressor (snubber): 0.01 μ F/470 Ω , 250 VAC |

Specifications

Except where noted all specifications apply to operation at +25°C.

General

| | |
|----------------------------|--|
| Display | Line 1: 0.60" (15 mm) high, red LEDs Line 2: 0.46" (12 mm) high, red LEDs 6 digits each (-99999 to 999999), with lead zero blanking |
| Display Intensity | Eight user selectable intensity levels |
| Display Update Rate | 5/second (200 ms) |
| Overrange | Display flashes 999999 |
| Underrange | Display flashes -99999 |
| Display Assignment | Display lines 1 & 2 may be assigned to process values for Channels A (Ch-A, current), V (Ch-V, voltage), or P (Ch-P, apparent power); toggle between (Ch-A & Ch-V, Ch-A & Ch-P, Ch-V & Ch-P, and Ch-A, Ch-V, & Ch-P); relay set points; max and/or min values for Ch-A, Ch-V, or Ch-P; CH-A and units; Ch-V and units; Ch-P and units; or Modbus input. Display line 2 may also be set to show engineering units or be off, with no display. |
| Programming Methods | Four front panel buttons, digital inputs, PC and MeterView Pro software, or Modbus registers. |
| Noise Filter | Programmable from 2 to 199 (0 will disable filter) |
| Filter Bypass | Programmable from 0.1 to 99.9% of calibrated span |
| Recalibration | All ranges are calibrated at the factory. Recalibration is recommended at least every 12 months. |
| Max/Min Display | Max/min readings reached by each displayed input type are stored until reset by the user or until power to the meter is cycled. |
| Password | Three programmable passwords restrict modification of programmed settings. Pass 1: Allows use of function keys and digital inputs Pass 2: Allows use of function keys, digital inputs and editing set/reset points Pass 3: Restricts all programming, function keys, and digital inputs. |
| Non-Volatile Memory | All programmed settings are stored in non-volatile memory for a minimum of ten years if power is lost. |
| Power Options | 85-265 VAC 50/60 Hz, 90-265 VDC, 20 W max or 12-24 VDC ± 10%, 15 W max Powered over USB for configuration only |
| Fuse | Required external fuse: UL Recognized, 5 A max, slow blow; up to 6 meters may share one 5 A fuse |
| Isolation | 500 V AC/DC potential allowed between voltage and current input channels. Channels isolated by 3 MΩ impedance 4 kV input/output-to-power line 500 V input-to-output or output-to-P+ supply |

| | |
|-----------------------------|---|
| Overvoltage Category | Installation Overvoltage Category II: Local level with smaller transient overvoltages than Installation Overvoltage Category III. |
| Environmental | Operating temperature range: -40 to 65°C Storage temperature range: -40 to 85°C Relative humidity: 0 to 90% non-condensing |
| Connections | Removable screw terminal blocks accept 12 to 22 AWG wire, RJ45 for external relays, digital I/O, and serial communication adapters. |
| Enclosure | 1/8 DIN, high impact plastic, UL 94V-0, color: black |
| Mounting | 1/8 DIN panel cutout required: 3.622" x 1.772" (92 mm x 45 mm) Two panel mounting bracket assemblies are provided. |
| Tightening Torque | Screw terminal connectors: 5 lb-in (0.56 Nm) |
| Overall Dimensions | 4.68" x 2.45" x 5.64" (119 mm x 62 mm x 143 mm) (W x H x D) |
| Weight | 9.5 oz (269 g) |
| Warranty | 3 years parts & labor |

Voltage and Current Inputs

| | |
|----------------------------------|--|
| High Voltage Input | One high voltage input (Channel V) 0-300 VDC or VAC; Switch Selectable, Modbus PV (Slave) |
| High Current Input | One high current input (Channel A) 0-5 AAC or ADC; Switch Selectable, Modbus PV (Slave) |
| Channels | Channel A, Channel V, Channel P (Math Channel for Apparent Power) |
| Ac/Dc Selection | Switch selectable for AC or DC inputs. Channels A and V share AC/DC selection. |
| Apparent Power Math | Apparent power P calculated as $P = ((A * V + C) * F$ |
| Programmable Constants | Constant C (Adder): -99.999 to 999.999, default: 0.000 Constant F (Factor): 0.001 to 999.999, default: 1.000 |
| Accuracy | ADC: 0.03% Full Scale ±1 count, AAC: 0.1% Full Scale ±1 count, VDC: 0.05% Full Scale ±1 count, VAC: 0.15% Full Scale ±1 count, square root & programmable exponent accuracy range: 10-100% of calibrated span |
| Temperature Drift | 0.005% of calibrated span/°C max from -40 to 65°C ambient |
| Signal Input Conditioning | Linear, square root, programmable exponent, or round horizontal tank volume calculation |
| Multi-Point Linearization | 2 to 32 points for Channel A and V |
| Low-Flow Cutoff | 0-999999 (0 disables cutoff function). Independent for Channel A and V. |

| | | | |
|--------------------------------------|--|----------------------------|--------------------------------|
| Decimal Point | Up to five decimal places or none: <i>dddddd, ddddd, dddd, ddd, dd, or dddddd</i> | | |
| Calibration Range | Input Channel | Input Range | Minimum Span Input 1 & Input 2 |
| | A | +/- 0-5 ADC 0-5 AAC | +/- 0.005 ADC 0.010 AAC |
| | V | +/- 0-300 VDC 0-300 VAC | +/- 0.1 VDC 0.3 VAC |
| | An error message will appear if the input 1 and input 2 signals are too close together. | | |
| Input Impedance | Voltage Input: Greater than 3 MΩ Current Input: 50 - 100 Ω | | |
| Input Overload | Voltage input protected up to 500 VDC Current input protected up to 10 A by a 10A/300V fast acting non-resettable fuse Fuse is NOT resettable after a fault; unit must be factory reconditioned. | | |
| F4 Digital Input Contacts | 3.3 VDC on contact. Connect normally open contacts across F4 to COM. | | |
| F4 Digital Input Logic Levels | Logic High: 3 to 5 VDC Logic Low: 0 to 1.25 VDC | | |
| Relays | | | |
| Rating | 2 or 4 SPDT (Form C) internal and/or 4 SPST (Form A) external; rated 3 A @ 30 VDC and 125/250 VAC resistive load; 1/14 HP (≈ 50 W) @ 125/250 VAC for inductive loads | | |
| Noise Suppression | Noise suppression is recommended for each relay contact switching inductive loads; see page 13 for details. | | |
| Relay Assignment | Each relay independently assigned to Ch-A, Ch-V, CH-P, or Modbus | | |
| Deadband | 0-100% of span, user programmable | | |
| High Or Low Alarm | User may program any alarm for high or low trip point. Unused alarm LEDs and relays may be disabled (turn off). | | |
| Relay Operation | Automatic (non-latching) Latching (required manual acknowledge) Pump alternation control (2 to 8 relays) Sampling (based on time) Off (disable unused relays and enable Interlock feature) Manual on/off control mode | | |
| Relay Reset | User selectable via front panel buttons, digital inputs, or PC | | |
| | <ol style="list-style-type: none"> Automatic reset only (non-latching), when the input passes the reset point. Automatic + manual reset at any time (non-latching) Manual reset only, at any time (latching) Manual reset only after alarm condition has cleared (L) | | |
| | <i>Note: Front panel button or digital input may be assigned to acknowledge relays programmed for manual reset.</i> | | |

| | |
|----------------------------------|--|
| Time Delay | 0 to 999.9 seconds, on & off relay time delays Programmable and independent for each relay |
| Fail-Safe Operation | Programmable and independent for each relay. <i>Note: Relay coil is energized in non-alarm condition. In case of power failure, relay will go to alarm state.</i> |
| Break Condition Operation | Relay condition when sensor break detected. Programmable independently for each relay as On, Off, or Ignore (maintain last condition). |
| Auto Initialization | When power is applied to the meter, relays will reflect the state of the input to the meter. |

Isolated 4-20 mA Transmitter Output

| | | | |
|--|--|---------|---------|
| Output Source | Process channel A, V, or P, max or min for channel A, V, or highest or lowest max or min of A and V, set points 1-8, Modbus input, or manual control mode | | |
| Scaling Range | 1.000 to 23.000 mA for any display range | | |
| Calibration | Factory calibrated: 4.000 to 20.000 = 4-20 mA output | | |
| Analog Out Programming | 23.000 mA maximum for all parameters: Overage, underrange, max, min, and break | | |
| Accuracy | ± 0.1% of span ± 0.004 mA | | |
| Temperature Drift | 0.4 μA/°C max from 0 to 65°C ambient, 0.8 μA/°C max from -40 to 0°C ambient <i>Note: Analog output drift is separate from input drift.</i> | | |
| Isolated Transmitter Power Supply | Terminals I+ & R: 24 VDC ± 10% @ 40mA. May be used to power the 4-20 mA output or other devices. Refer to Figure 5 on page 10 and Figure 19 on page 14. | | |
| External Loop Power Supply | 35 VDC maximum | | |
| Output Loop Resistance | Power supply | Minimum | Maximum |
| | 24 VDC | 10 Ω | 700 Ω |
| | 35 VDC (external) | 100 Ω | 1200 Ω |

Modbus® RTU Serial Communications

| | | | |
|-----------------------------|--|--|--|
| Slave Id | 1 – 247 (Meter address) | | |
| Baud Rate | 300 – 19,200 bps | | |
| Transmit Time Delay | Programmable between 0 and 199 ms | | |
| Data | 8 bit (1 start bit, 1 or 2 stop bits) | | |
| Parity | Even, Odd, or None with 1 or 2 stop bits | | |
| Byte-To-Byte Timeout | 0.01 – 2.54 second | | |
| Turn Around Delay | Less than 2 ms (fixed) | | |
| | <i>Note: Refer to the PROVu® Modbus Register Tables located at www.predig.com for details.</i> | | |

MeterView Pro

| | |
|----------------------------|---|
| System Requirements | Microsoft® Windows® XP/Vista/7/8/10 |
| Communications | USB 2.0 (Standard USB A to Micro USB B) |
| Configuration | Configure meters one at a time |

Compliance Information

Safety

| | |
|------------------------------|---|
| UL & c-UL Listed | USA & Canada UL 508 Industrial Control Equipment |
| UL File Number | E160849 |
| Front Panel | UL Type 4X, NEMA 4X, IP65; panel gasket provided |
| Low Voltage Directive | EN 61010-1:2010 Safety requirements for measurement, control, and laboratory use |

Electromagnetic Compatibility




| | |
|--------------------------------|--|
| Emissions | EN 55022:2010 Class A ITE emissions requirements |
| Radiated Emissions | Class A |
| AC Mains Conducted Emissions | Class A |
| Immunity | EN 61326-1:2013 Measurement, control, and laboratory equipment EN 61000-6-2:2005 EMC heavy industrial generic immunity standard |
| RFI - Amplitude Modulated | 80 -1000 MHz 10 V/m 80% AM (1 kHz) 1.4 - 2.0 GHz 3 V/m 80% AM (1 kHz) 2.0 - 2.7 GHz 1 V/m 80% AM (1 kHz) |
| Electrical Fast Transients | ±2kV AC mains, ±1kV other |
| Electrostatic Discharge | ±4kV contact, ±8kV air |
| RFI - Conducted | 10V, 0.15-80 MHz, 1kHz 80% AM |
| AC Surge | ±2kV Common, ±1kV Differential |
| Surge | 1KV (CM) |
| Power-Frequency Magnetic Field | 30 A/m 70%V for 0.5 period |
| Voltage Dips | 40%V for 5 & 50 periods 70%V for 25 periods |
| Voltage Interruptions | <5%V for 250 periods |

Note:

Testing was conducted on PD6000 Series meters installed through the covers of grounded metal enclosures with cable shields grounded at the point of entry representing installations designed to optimize EMC performance.

Declaration of Conformity available at www.predig.com

Safety Information

| | |
|---|--|
|  CAUTION <i>Read complete instructions prior to installation and operation of the meter.</i> |  WARNING! <i>Risk of electric shock or personal injury.</i> |
|  WARNING! <i>Hazardous voltages exist within enclosure. Installation and service should be performed only by trained service personnel.</i> | |

Installation

There is no need to remove the meter from its case to complete the installation, wiring, and setup of the meter for most applications.

Unpacking

Remove the meter from box. Inspect the packaging and contents for damage. Report damages, if any, to the carrier.

If any part is missing or the meter malfunctions, please contact your supplier or the factory for assistance.

Panel Mounting Instructions

- Prepare a standard 1/8 DIN panel cutout – 3.622" x 1.772" (92 mm x 45 mm). Refer to Figure 1 below, for more details.
- Clearance: allow at least 6.0" (152 mm) behind the panel for wiring.
- Panel thickness: 0.04" - 0.25" (1.0 mm - 6.4 mm).
Recommended minimum panel thickness to maintain Type 4X rating: 0.06" (1.5 mm) steel panel, 0.16" (4.1 mm) plastic panel.
- Remove the two mounting brackets provided with the meter (back-off the two screws so that there is ¼" (6.4 mm) or less through the bracket. Slide the bracket toward the front of the case and remove).
- Insert meter into the panel cutout.
- Install mounting brackets and tighten the screws against the panel. To achieve a proper seal, tighten the mounting bracket screws evenly until meter is snug to the panel along its short side. **DO NOT OVER TIGHTEN**, as the rear of the panel may be damaged.

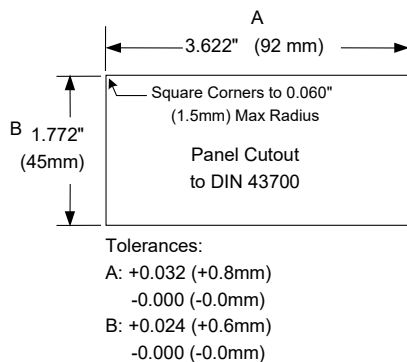


Figure 1. 1/8 DIN Panel Cutout Dimensions

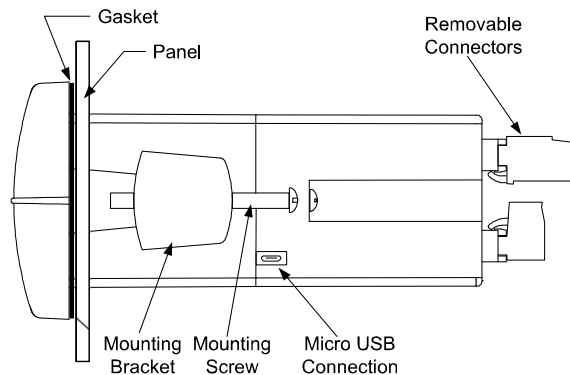


Figure 2. Panel Mounting Details

Mounting Dimensions

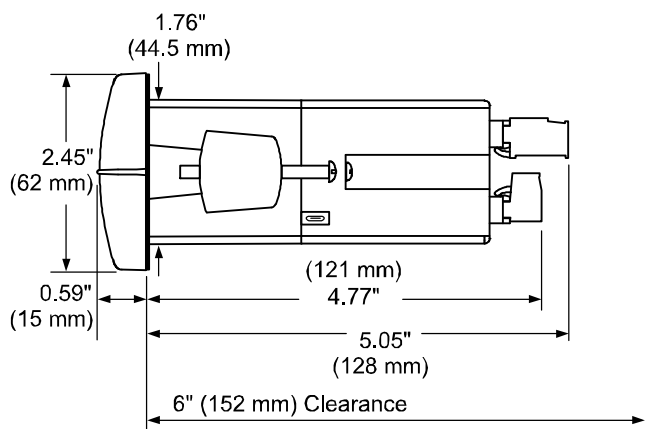


Figure 3. Meter Dimensions - Side View

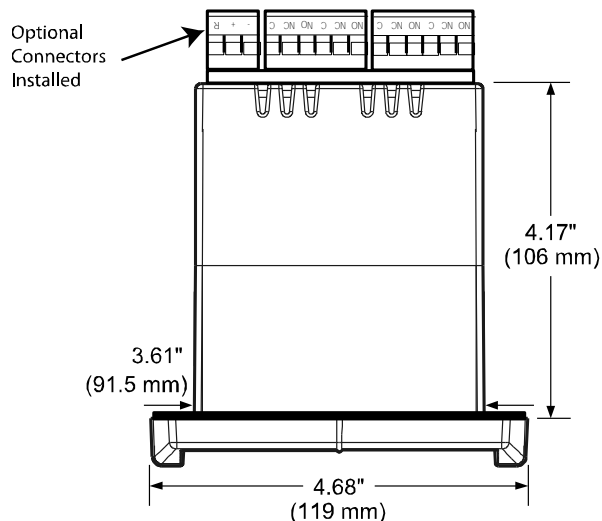



Figure 4. Meter Dimensions - Top View

Connections


All connections are made to removable screw terminal connectors located at the rear of the meter.



Caution! Use copper wire with 60°C or 60/75°C insulation for all line voltage connections. Observe all safety regulations. Electrical wiring should be performed in accordance with all applicable national, state, and local codes to prevent damage to the meter and ensure personnel safety.

Connectors Labeling

The connectors' label, affixed to the meter, shows the location of all connectors available with requested configuration.



Warning! Do not connect any equipment other than Precision Digital's expansion modules, cables, or meters to the RJ45 M-LINK connector. Otherwise damage will occur to the equipment and the meter.

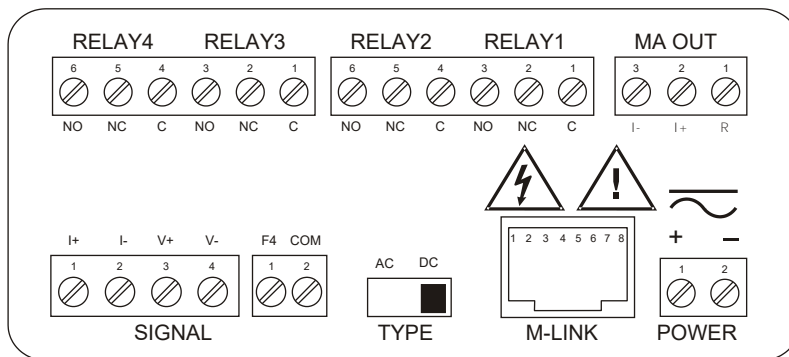


Figure 5. Connector Labeling for Fully Loaded PD6400

Power Connections

Power connections are made to a two-terminal connector labeled POWER on Figure 5. The meter will operate regardless of DC polarity connection. The + and - symbols are only a suggested wiring convention.

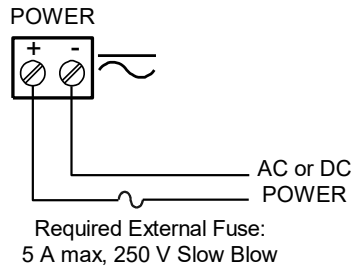


Figure 6. Power Connections

Signal Connections

Signal connections are made to a four-terminal connector labeled SIGNAL on Figure 5. The I+ and I- terminals are used for Channel A (CH-A) as the current input terminals. The V+ and V- terminals are used for Channel V (CH-V) as the voltage input terminals.

In addition to the signal connections, the switch labeled TYPE on Figure 5 must be set to AC (alternating current) or DC (direct current) to accept the corresponding type of voltage and current signals.

Voltage Input

The following figures show examples of connecting the meter for a voltage input. Note that in addition to the connections, the AC/DC type switch must also be set.

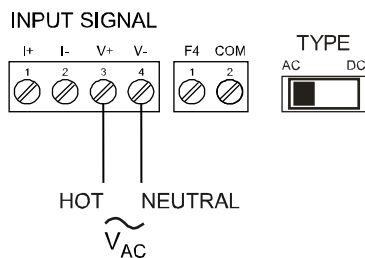


Figure 7. AC Voltage Input Connection

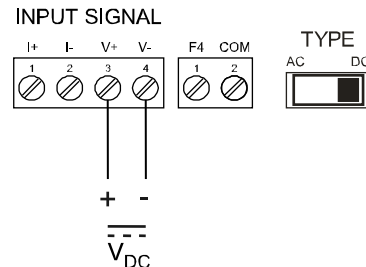


Figure 8. DC Voltage Input Connections

Current Input

The following figures show examples of connecting the meter for a current input. Note that in addition to the connections, the AC/DC type switch must also be set.

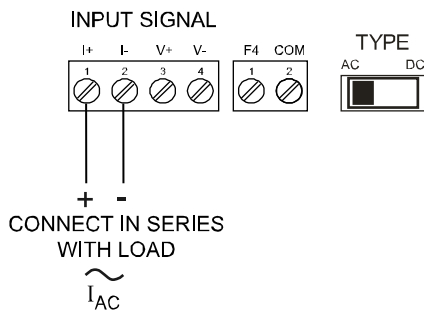


Figure 9. AC Current Connections

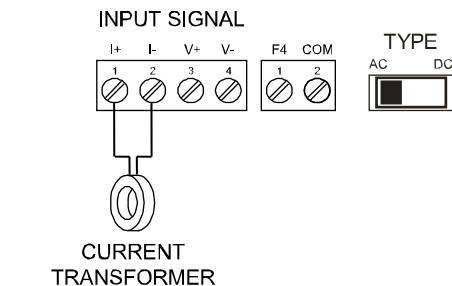


Figure 10. AC Current Transformer Connections

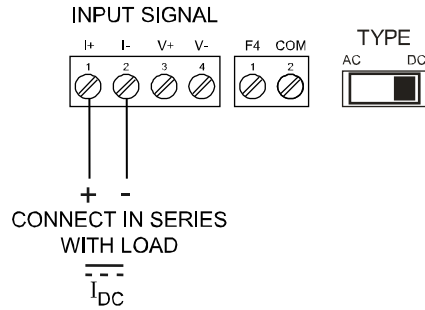


Figure 11. DC Current Connections

Current and Voltage Input

The following figures show examples of connecting the meter for both current and voltage input. Note that in addition to the connections, the AC/DC type switch must also be set.

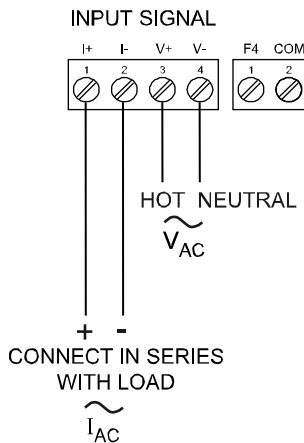


Figure 12. AC Current and Voltage Connections

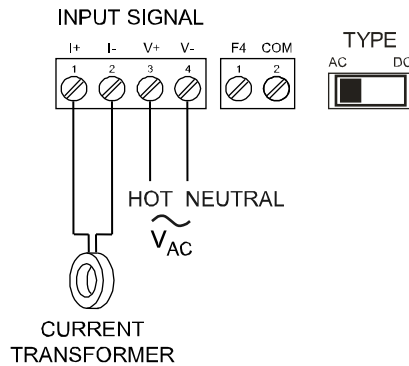


Figure 13. AC Current Transformer and Voltage Connections

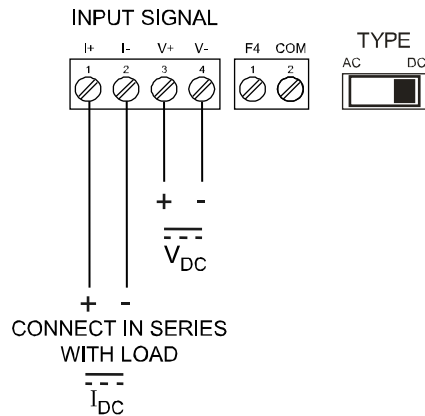


Figure 14. DC Current and Voltage Connections

Modbus RTU Serial Communications

Serial communications connection is made to an RJ45 connector labeled M-LINK on Figure 5. For interfacing to the PROVu®, use the PDA1232 for RS-232 or the PDA1485 for RS-485. The same port is used for interfacing with all expansion modules (e.g. external relays, digital I/O).

Relay Connections

Relay connections are made to two six-terminal connectors labeled RELAY1 – RELAY4 on Figure 5. Each relay's C terminal is common only to the normally open (NO) and normally closed (NC) contacts of the corresponding relay. The relays' C terminals should not be confused with the COM (common) terminal of the INPUT SIGNAL connector.

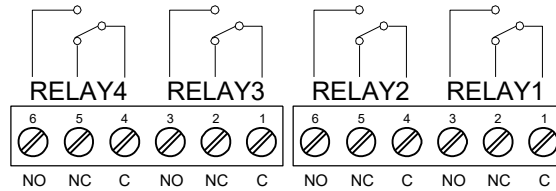


Figure 15. Relay Connections

Switching Inductive Loads

The use of suppressors (snubbers) is strongly recommended when switching inductive loads to prevent disrupting the microprocessor's operation. The suppressors also prolong the life of the relay contacts. Suppression can be obtained with resistor-capacitor (RC) networks assembled by the user or purchased as complete assemblies. Refer to the following circuits for RC network assembly and installation:

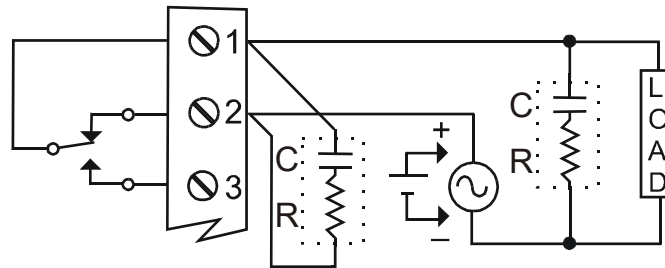


Figure 16. AC and DC Loads Protection

Choose R and C as follows:

R: 0.5 to 1 Ω for each volt across the contacts

C: 0.5 to 1 μF for each amp through closed contacts

Notes:

1. Use capacitors rated for 250 VAC.
2. RC networks may affect load release time of solenoid loads. Check to confirm proper operation.
3. Install the RC network at the meter's relay screw terminals. An RC network may also be installed across the load. Experiment for best results.

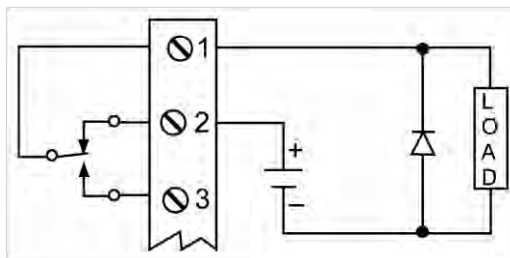


Figure 17. Low Voltage DC Loads Protection

Use a diode with a reverse breakdown voltage two to three times the circuit voltage and forward current at least as large as the load current.

RC Networks Available from Precision Digital

RC networks are available from Precision Digital and should be applied to each relay contact switching an inductive load. Part number: PDX6901.

Note: Relays are de-rated to 1/14th HP (50 watts) with an inductive load.

F4 Digital Input Connections

A digital input, F4, is standard on the meter. This digital input connected with a normally open closure across F4 and COM, or with an active low signal applied to F4.

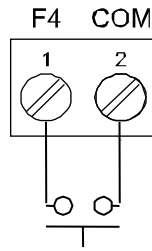


Figure 18. F4 Digital Input Connections

4-20 mA Output Connections

Connections for the 4-20 mA transmitter output are made to the connector terminals labeled MA OUT. The 4-20 mA output may be powered internally or from an external power supply.

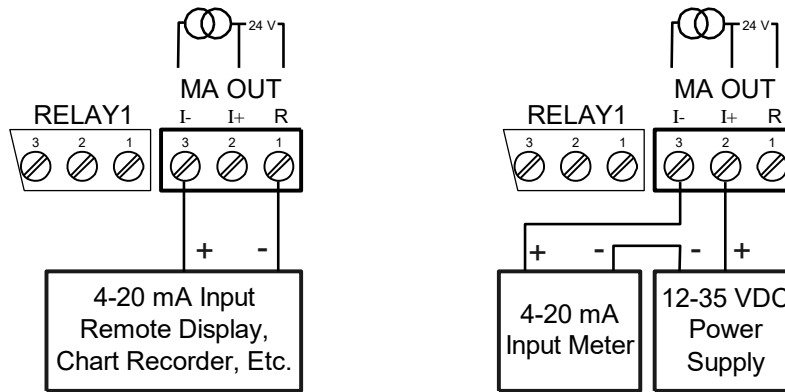


Figure 19. 4-20 mA Output Connections


Analog Output Transmitter Power Supply

The internal 24 VDC power supply powering the analog output may be used to power other devices, if the analog output is not used. The I+ terminal is the +24 V and the R terminal is the return.

External Relay, Analog Output, & Digital I/O Connections

The relay, analog out, and digital I/O expansion modules PDA1004, PDA1011, and PDA1044 are connected to the meter using a CAT5 cable provided with each module. The two RJ45 connectors on the expansion modules are identical and interchangeable; they are used to connect additional modules to the system.

Note: The jumper located between the RJ45 connectors of the PDA1044 must be removed on the second digital I/O module in order for the system to recognize it as module #2.



Warning! *Do not connect or disconnect the expansion modules with the power on! More detailed instructions are provided with each optional expansion module.*

Interlock Relay Feature

As the name implies, the interlock relay feature reassigns one, or more, alarm/control relays for use as interlock relay(s). Interlock contact(s) are wired to digital input(s) and trigger the interlock relay. This feature is enabled by configuring the relay, and relative digital input(s) (see page 33). In one example, dry interlock contacts are connected in series to one digital input which will be used to force on (energize) the assigned interlock power relay when all interlock contacts are closed (safe). The interlock relay front panel LED flashes when locked out. The interlock relay would be wired in-series with the load (N/O contact). See below.

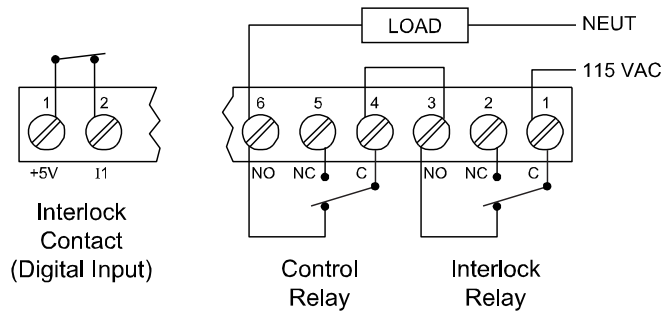


Figure 20. Interlock Connections

Setup and Programming

The meter is factory calibrated prior to shipment to read in amps and volts. The calibration equipment is certified to NIST standards.

Overview

There are no jumpers to set for the meter input selection.

Setup and programming is done through the front panel buttons.

After power and input signal connections have been completed and verified, apply power to the meter.

Front Panel Buttons and Status LED Indicators



| Button Symbol | Description | LED | Status |
|---|----------------|---|--|
| | Menu | 1-8 | Alarm 1-8 indicator |
| | Right arrow/F1 | 1-8 M | Flashing: Relay in manual control mode |
| | Up arrow/F2 | A V P | Channel displayed |
| | Enter/F3 | 1-4 | Flashing: Relay interlock switch open |
| <p><i>Notes:</i> F4 is a digital input. Alarms 5-8 are enabled when relay expansion module installed.</p> | | <p><i>Note:</i> LEDs for relays in manual mode flash with the "M" LED every 10 seconds.</p> | |

- Press the Menu button to enter or exit the Programming Mode at any time.
- Press the Right arrow button to move to the next digit during digit or decimal point programming.
- Press or hold the Up arrow button to scroll through the menus, decimal point, or to increment the value of a digit.
- Press the Enter button to access a menu or to accept a setting.
- Press and hold the Menu button for three seconds to access the advanced features of the meter.

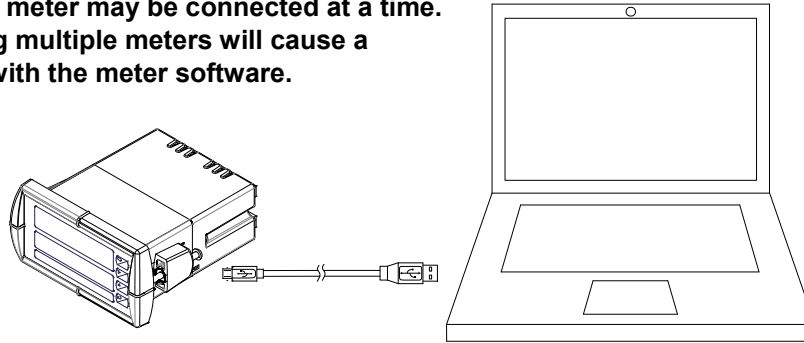
MeterView® Pro Software

The meter can also be programmed using the PC-based MeterView Pro software included with the meter. This software can be installed on any Microsoft® Windows® (XP/Vista/7/8/10) computer by connecting the meter's onboard USB. The meter is powered by the USB connection, so there is no need to wire anything prior to programming the meter, though USB is intended only for meter configuration.

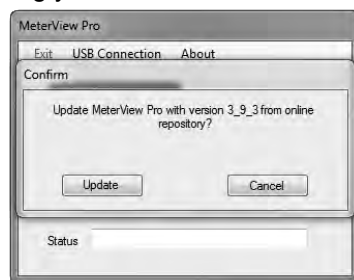
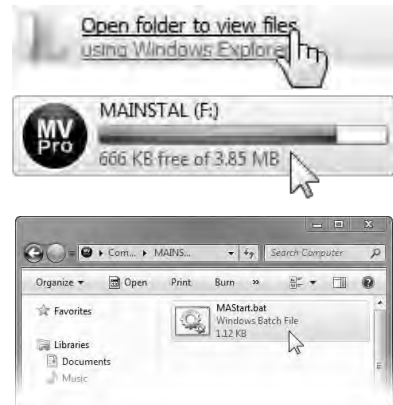
MeterView Pro Installation

1. Connect one end of the provided USB cable to the meter and the other end to the computer. The computer will automatically install the driver software it needs to talk to the meter.

Only one meter may be connected at a time. Attaching multiple meters will cause a conflict with the meter software.



2. Once the driver is installed, an AutoPlay dialog should appear for the drive "MAINSTAL." Click "Open folder to view files." If the computer does not display an AutoPlay dialog for the drive "MAINSTAL," you should open My Computer and double-click on the drive labeled "MAINSTAL."
3. Double-click on the file named "MAStart." The program will open a few windows and install two programs on your computer. Simply follow the onscreen instructions until you see one of the dialogs below. If you receive a "User Account Control" warning, click "Yes."
4. If there is an update available, click the "Update" button to install the new version. Otherwise, click "Configure" to begin programming your meter.



Note: If you decide to update your MeterView Pro software, once the installation has completed, you will be asked if you want to update the setup files located on the meter itself. This way, you will always have the most current version on the meter for future installs.



Warning!

Do not unplug the meter while the new installation files are being written to it. The meter will display μA μE during the process and you will receive an onscreen notification once the process is complete.

Data logging for one meter at a time is available with MeterView Pro software. More advanced data acquisition may be accomplished by using any Modbus RTU compliant software. Additional information regarding configuration and monitoring of the meter using MeterView Pro software is available online. Go to www.predig.com/meterview-pro.

Display Functions & Messages

The following table shows the main menu functions and messages in the order they appear in the menu.

| Display | Parameter | Action/Setting Description |
|---------|-------------------|---|
| SEtUP | Setup | Enter Setup menu |
| un tS | Unit | Select the display units/tags |
| Ch-R* | Unit | Set unit or tag for channel A (*or V or P) |
| dEc Pt | Decimal point | Set decimal point |
| Ch-R* | Decimal point | Set decimal point for channel A (*or V or P) |
| InCAL | Input calibration | Enter the Input Calibration menu |
| Ch-R* | Input A | Set input type for channel A (*or V) |
| SCALE A | Scale A | Enter the Scale menu for channel A |
| inP 1 | Input 1 | Scale input 1 signal or program input 1 value |
| d.S 1 | Display 1 | Program display 1 value |
| inP 2 | Input 2 | Scale input 2 signal or program input 2 value (up to 32 points) |
| d.S 2 | Display 2 | Program display 2 value (up to 32 points) |
| Error | Error | Error, scaling not successful, check signal or programmed value |
| CAL A | Calibrate A | Enter the Calibration menu for channel A |
| inP 1 | Input 1 | Calibrate input 1 signal or program input 1 value |
| d.S 1 | Display 1 | Program display 1 value |
| inP 2 | Input 2 | Calibrate input 2 signal or program input 2 value (up to 32 points) |
| d.S 2 | Display 2 | Program display 2 value (up to 32 points) |
| Error | Error | Error, calibration not successful, check signal or programmed value |
| dSPLY | Display | Enter the Display menu |
| LnE 1 | Line 1 | Assign the upper display parameter |
| LnE 2 | Line 2 | Assign the lower display parameter |
| d Ch-R | Display Ch-A | Assign display to channel A |
| d Ch-V | Display Ch-V | Assign display to channel V |
| d Ch-P | Display Ch-P | Assign display to channel P (P=A*V) |

| Display | Parameter | Action/Setting Description |
|----------|--------------------------|---|
| d AV | Display AV | Alternate display of channel A & V |
| d AP | Display AP | Alternate display of channel A & P |
| d VP | Display VP | Alternate display of channel V & P |
| d AVP | Display AVP | Alternate display of channel A, V, & P |
| d SEt 1* | Display set 1* | Displays relay 1 (*through 8) set point. |
| d Hi-R | Display high A | Display high value of channel A |
| d Lo-R | Display low A | Display low value of channel A |
| d HL-R | Display hi/low A | Alternate between high/low value of channel A |
| d Hi-V | Display high V | Display high value of channel V |
| d Lo-V | Display low V | Display low value of channel V |
| d HL-V | Display high/low V | Alternate between high/low value of channel V |
| d Hi-P | Display high P | Display high value of channel P |
| d Lo-P | Display low P | Display low value of channel P |
| d HL-P | Display high/low P | Alternate between high/low value of channel P |
| d R-u | Display A and units/tags | Alternate display of channel A and the unit/tag |
| d V-u | Display V and units/tags | Alternate display of channel V and the unit/tag |
| d P-u | Display P and units/tags | Alternate display of channel P and the unit/tag |
| Modbus | Display Modbus | Display Modbus input register |
| d OFF* | Display off | Display blank display (*line 2 only) |
| d un t* | Display unit | Display line 1 channel units (*line 2 only) |
| d-IntY | Display intensity | Set display intensity level from 1 to 8 |
| RELAY | Relay | Enter the Relay menu |
| ASSIGN | Assignment | Assign relays to channels or Modbus |

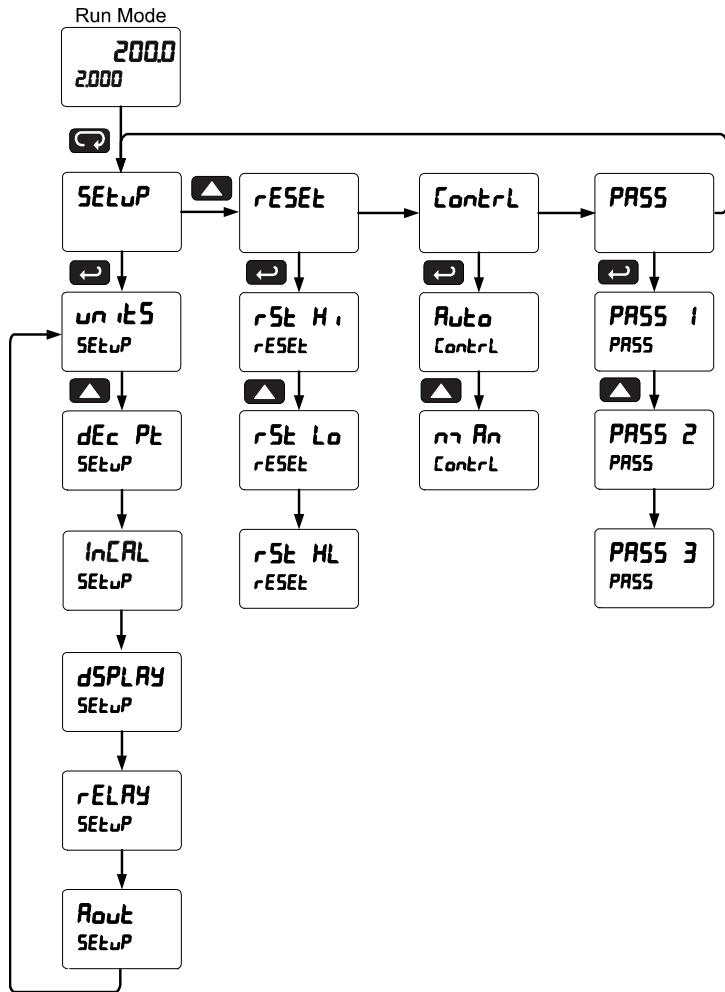
| Display | Parameter | Action/Setting Description |
|-------------|------------------|---|
| R5 0n 1* | Assign 1* | Relay 1 (*through 8) assignment |
| Ch-A* | Channel A* | Assign relay to channel A (*or V or P) |
| Modbus | Modbus | Assign relay to Modbus register |
| rLY 1* | Relay 1* | Relay 1 (*through 8) setup |
| Rct 1* | Action 1* | Set relay 1 (*through 8) action |
| Auto | Automatic | Set relay for automatic reset |
| Auto-manual | Auto-manual | Set relay for auto or manual reset any time |
| LATCH | Latching | Set relay for latching operation |
| Lt-Clr | Latching-cleared | Set relay for latching operation with manual reset only after alarm condition has cleared |
| ALTErn | Alternate | Set relay for pump alternation control |
| SPn PL | Sample | Set relay for sample time trigger control |
| OFF | Off | Turn relay off |
| FRILSF | Fail-safe | Enter <i>Fail-safe</i> menu |
| FLS 1* | Fail-safe 1 | Set relay 1 (*through 8) fail-safe operation |
| on | On | Enable fail-safe operation |
| off | Off | Disable fail-safe operation |
| dELAY | Delay | Enter relay <i>Time Delay</i> menu |
| dLY 1* | Delay 1* | Enter relay 1 (*through 8) time delay setup |
| On 1 | On 1 | Set relay 1 On time delay |
| OFF 1 | Off 1 | Set relay 1 Off time delay |
| dLY 2 | Delay 2 | Enter relays 2-8 time delay setup |
| brERH | Loop break | Set relay condition if loop break detected |
| brERH 1* | Loop break 1* | Set relay 1 (*through 8) break condition |

| Display | Parameter | Action/Setting Description |
|-------------------|------------------|---|
| Ignore | Ignore | Ignore loop break condition (Processed as a low signal condition) |
| On | On | Relay goes to alarm condition when loop break detected |
| OFF | Off | Relay goes to non-alarm condition when loop break detected |
| Auto | Analog output | Enter the <i>Analog output</i> scaling menu |
| AOut 1* | Aout channel | Analog Output source channel (*1-3) |
| d 1 | Display 1 | Program display 1 value |
| Out 1 | Output 1 | Program output 1 value (e.g. 4.000 mA) |
| d 2 | Display 2 | Program display 2 value |
| Out 2 | Output 2 | Program output 2 value (e.g. 20.000 mA) |
| RESET | Reset | Press Enter to access the <i>Reset</i> menu |
| Reset Hi | Reset high | Press Enter to reset max display |
| Reset Lo | Reset low | Press Enter to reset min display |
| Reset HL | Reset high & low | Press Enter to reset max & min displays |
| Control | Control | Enter <i>Control</i> menu |
| Auto | Automatic | Press Enter to set meter for automatic operation |
| Manual | Manual | Press Enter to manually control relays or analog output operation |
| PASS | Password | Enter the <i>Password</i> menu |
| PASS 1* | Password 1* | Set or enter Password 1 (*through 3) |
| unLoc | Unlocked | Program password to lock meter |
| Locd | Locked | Enter password to unlock meter |
| 999999 -999999 | Flashing | Over/under range condition |

Main Menu

The main menu consists of the most commonly used functions: *Reset, Control, Setup, and Password.*

- Press Menu button to enter Programming Mode then press the Up arrow button to scroll main menu.
- Press Menu at any time to exit and return to Run Mode. Changes made to settings prior to pressing Enter are not saved.
- Changes to the settings are saved to memory only after pressing Enter.
- The display moves to the next menu every time a setting is accepted by pressing Enter.



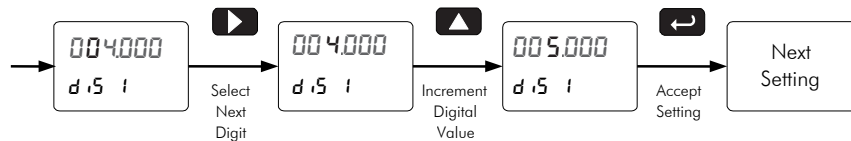
Setting Numeric Values

The numeric values are set using the Right and Up arrow buttons. Press Right arrow to select next digit and Up arrow to increment digit value.

The digit being changed is displayed brighter than the rest.

Press and hold up arrow to auto-increment the display value.

Press the Enter button at any time to accept a setting or Menu button to exit without saving changes.

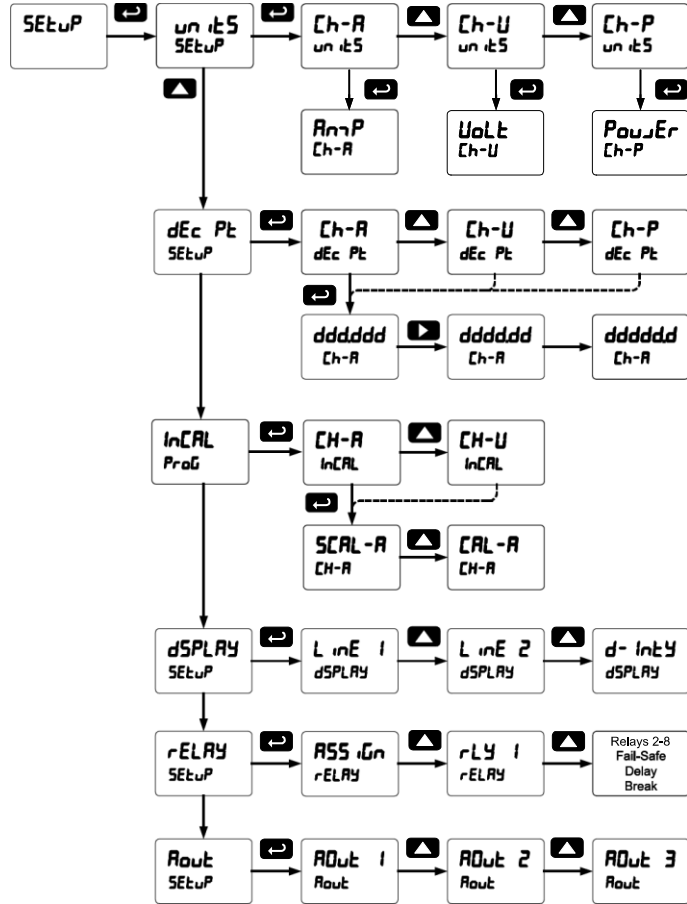


Setting Up the Meter (SEtUP)

The *Setup* menu is used to select:

1. Input signal the meter will accept for channel A and channel V
2. Units for A, V, and P
3. Decimal point position for A, B, and C
4. Program the meter using the Scale or Calibrate functions
5. Display parameter and intensity
6. Relay assignment and operation
7. 4-20 mA analog output scaling

Press the Menu button to exit at any time.



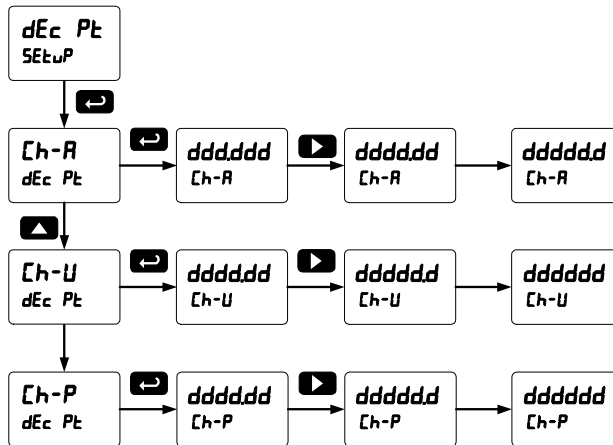
Setting the Decimal Point (dEc Pt)

The decimal point may be set with up to five decimal places or with no decimal point at all.

Pressing the Right arrow moves the decimal point one place to the right until no decimal point is displayed, and then it moves to the leftmost position.

There are three decimal points to set up for three channels: Ch-A, Ch-V, and Ch-P.

After the decimal points are set up, the meter moves to the *Program* menu.



Setting the Input Calibration (InCAL)

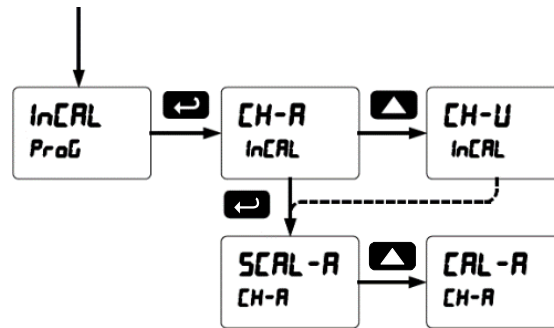
It is **very important** to read the following information, before proceeding to program the meter:

- The meter is factory calibrated prior to shipment to read in amps and volts. The calibration equipment is certified to NIST standards.
- Use the *Scale* menu to scale the current and voltage inputs. A calibrated signal source is not needed to scale the meter.
- Use the *Calibrate* menu to apply a signal from a calibrator or other live signal source.

The *Program* menu contains the *Scale* and the *Calibrate* menus for channels A & V.

The process inputs may be calibrated or scaled to any display value within the range of the meter.

Note: The Scale and Calibrate functions are exclusive of each other. The meter uses the last function programmed. Only one of these methods can be employed at a time. The Scale and Calibrate functions can use up to 32 points (default is 2). The number of points should be set in the Advanced Menu under the menu selection prior to scaling and calibration of the meter, see page 40 for details.



Multi-Point Linearization (LinERr)

The process inputs may be calibrated or scaled to any display value within the range of the meter. The meter is set up at the factory for 2-point linear calibration.

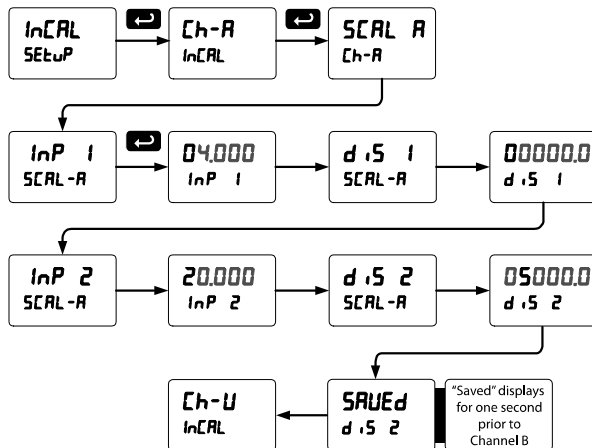
Up to 32 linearization points may be selected. See page 40 for details.

Scaling the Meter without a Signal Source

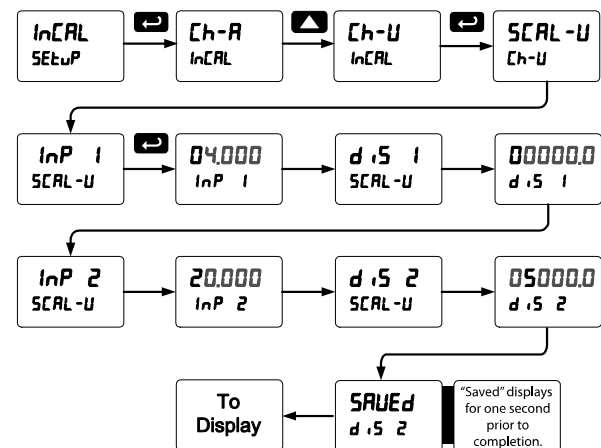
The voltage and current inputs can be scaled to display the process variables in engineering units.

A signal source is not needed to scale the meter; simply program the inputs and corresponding display values.

Scaling the Meter for Channel A (SCAL-A)



Scaling the Meter for Channel V (SCAL-U)



For instructions on how to program numeric values see *Setting Numeric Values*, page 20.

Error Message (Error)

An error message indicates that the calibration or scaling process was not successful.

After the error message is displayed, the meter reverts to input 2 during calibration or scaling and to input 1 during internal calibration, allowing the appropriate input signal to be applied or programmed.

The error message might be caused by any of the following conditions:

1. Input signal is not connected to the proper terminals or it is connected backwards.
2. Wrong signal selection in *Setup* menu.
3. Minimum input span requirements not maintained.
4. Input 1 signal inadvertently applied to calibrate input 2.

Minimum Input Span

The minimum input span is the minimum difference between input 1 and input 2 signals required to complete the calibration or scaling of the meter.

| Input Range | Input 1 & Input 2 Span |
|---------------|------------------------|
| +/- 0-5 ADC | +/- 0.005 ADC |
| 0-5 AAC | 0.010 AAC |
| +/- 0-300 VDC | +/- 0.1 VDC |
| 0-300 VAC | 0.3 VAC |

Calibrating the Meter with External Source

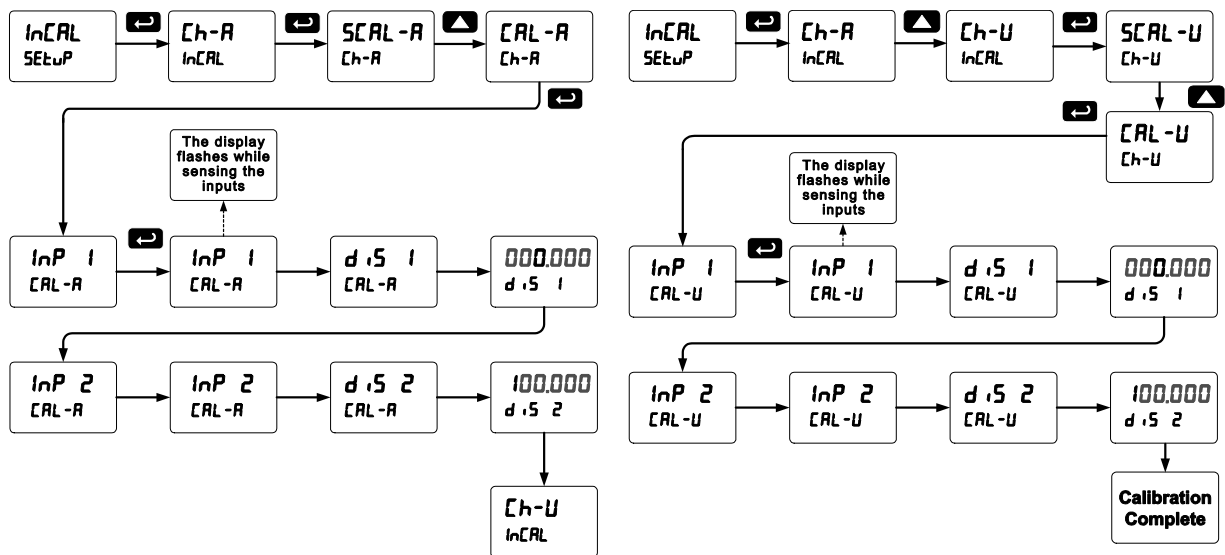
To scale the meter without a signal source, refer to *Scaling the Meter without a Signal Source*, page 22.

Warm up the meter for at least 15 minutes before performing calibration to ensure specified accuracy.

The meter can be calibrated to display the process variable in engineering units by applying the appropriate input signal and following the calibration procedure.

The use of a calibrated signal source is strongly recommended to calibrate the meter.

Calibrating the Meter for Channel A (CAL-R) Calibrating the Meter for Channel V (CAL-U)



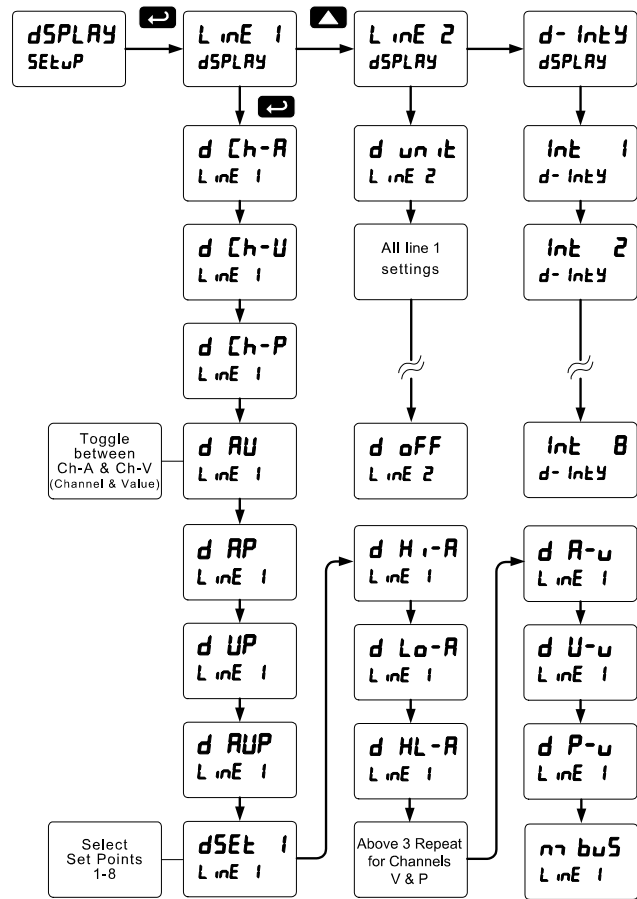
Setting the Display Parameter & Intensity (dSPLAY)

Display line 1 (LINE 1) can be programmed to display:

1. Process value Ch-A
2. Process value Ch-V
3. Process value Ch-P
4. Toggle between Ch-A & Ch-V, Ch-A & Ch-P, Ch-V & Ch-P, and Ch-A, Ch-V, & Ch-P
5. Relay set points
6. Max & min values for each channel
7. Toggle between Channel & units
8. Modbus input

Display line 2 (LINE 2) can be programmed to display:

1. Process value Ch-A
2. Process value Ch-V
3. Process value Ch-P
4. Toggle between Ch-A & Ch-V, Ch-A & Ch-P, Ch-V & Ch-P, and Ch-A, Ch-V, & Ch-P
5. Relay set points
6. Max & min values for each channel
7. Toggle between Channel & units
8. Modbus input
9. Off (no display)
10. Engineering units or custom legends



Display Intensity: The meter has eight display intensity levels to give the best performance under various lighting conditions. Select intensity 8 for outdoor applications. The default intensity setting is 8.

After setting up the input and display, press the Menu button to exit programming and skip the rest of the setup menu.

The displays can be set up to read channels A, V, or P, toggle between A & V, V & P, A & P, A & V & P, toggle between channels A, V, or P & units, the max/min of any of the channels, including the power channel (P), set points, or the Modbus input. In addition to the parameters available on display line 1, line 2 can display Engineering units or it could be turned off.

Setting the Input Units or Custom Tags (Unit 5)

Enter the input unit or custom tag that will be displayed if alternating process input and units is selected in the Unit 5 menu, or if Unit 5 is selected as the display line 2 parameter. See the flow chart on page 24 to access the display menu to show the unit or tag on line 2. The engineering units or custom legends can be set using the following 7-segment character set:


| Display | Character | Display | Character | Display | Character | Display | Character |
|---------|-----------|---------|-----------|---------|-----------|---------|-----------|
| 0 | 0 | C | C | K | K | V | V |
| 1 | 1 | c | c | L | L | w | w |
| 2 | 2 | d | d | m | m | X | X |
| 3 | 3 | E | E | n | n | Y | Y |
| 4 | 4 | F | F | O | O | Z | Z |
| 5 | 5 | G | G | o | o | - | - |
| 6 | 6 | g | g | P | P | / | / |
| 7 | 7 | H | H | q | q | [|] |
| 8 | 8 | h | h | r | r | S | S |
| 9 | 9 | I | I | S | S | t | t |
| A | A | i | i | t | t | ° | Degree(<) |
| b | b | J | J | u | u | | Space |

Notes: Degree symbol represented by (<) if programming with MeterView® Pro. The letters “m” and “w” use two 7-segment LEDs each; when selected the characters to the right are shifted one position.

Press and hold up arrow to auto-scroll the characters in the display.

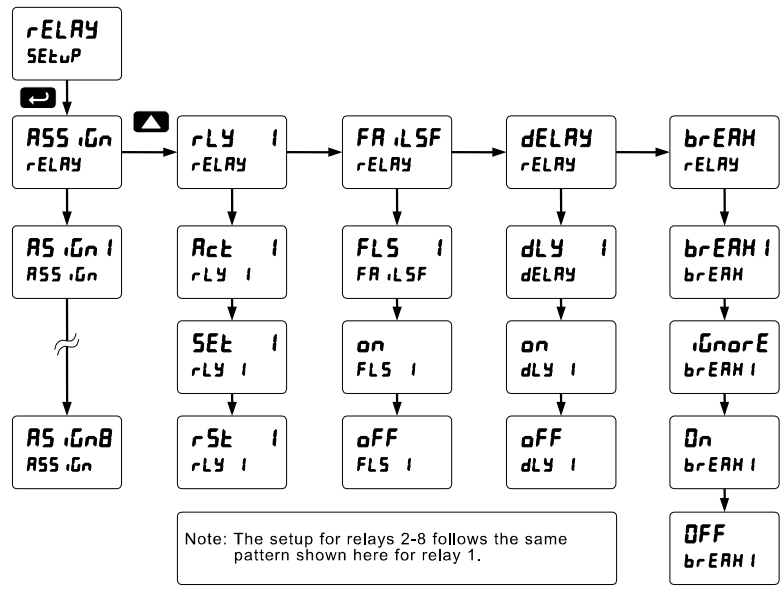
Setting the Relay Operation (rELAY)

This menu is used to set up the assignment and operation of the relays.



Caution! During setup, the relays do not follow the input and they will remain in the state found prior to entering the Relay menu.

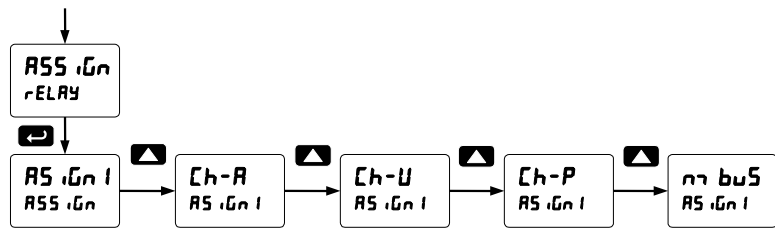
1. Relay assignment
 - a. Channel A
 - b. Channel V
 - c. Channel P (Power channel)
 - d. Modbus
2. Relay action
 - a. Automatic reset only (non-latching)
 - b. Automatic + manual reset at any time (non-latching)
 - c. Latching (manual reset only)
 - d. Latching with Clear (manual reset only after alarm condition has cleared)
 - e. Pump alternation control (automatic reset only, for level applications unrelated to voltage and current monitoring)
 - f. Sampling (the relay is activated for a user-specified time)
 - g. Off (relay state controlled by Interlock feature)



3. Set point
4. Reset point
5. Fail-safe operation
 - a. On (enabled)
 - b. Off (disabled)
6. Time delay
 - a. On delay (0-999.9 seconds)
 - b. Off delay (0-999.9 seconds)
7. Relay action for loss (break) of 4-20 mA input (ignore, on, off)

Setting the Relay Assignment (ASSIGN)

The relays may be assigned to their the current or voltage input channels, the apparent power channel P, or Modbus® input.

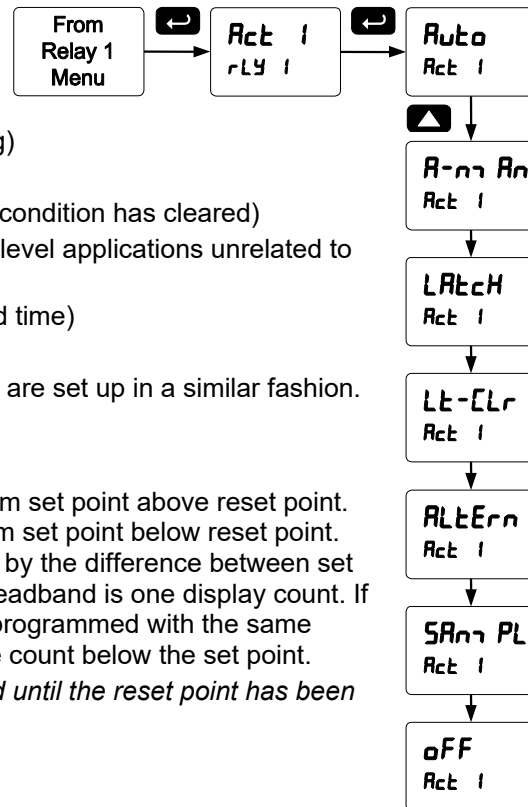


Setting the Relay Action

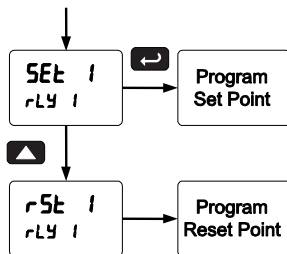
Operation of the relays is programmed in the *Action* menu. The relays may be set up for any of the following modes of operation:

1. Automatic reset (non-latching)
2. Automatic + manual reset at any time (non-latching)
3. Latching (manual reset only, at any time)
4. Latching with Clear (manual reset only after alarm condition has cleared)
5. Pump alternation control (automatic reset only, for level applications unrelated to voltage and current monitoring)
6. Sampling (the relay is activated for a user-specified time)
7. Off (relay state controlled by Interlock feature)

The following graphic shows relay 1 action setup; relay 2-8 are set up in a similar fashion.



Programming Set and Reset Points



High alarm indication: program set point above reset point.
 Low alarm indication: program set point below reset point.
 The deadband is determined by the difference between set and reset points. Minimum deadband is one display count. If the set and reset points are programmed with the same value, the relay will reset one count below the set point.
Note: Changes are not saved until the reset point has been accepted.

Setting Fail-Safe Operation

In fail-safe mode of operation, the relay coil is energized when the process variable is within safe limits and the relay coil is de-energized when the alarm condition exists. The fail-safe operation is set independently for each relay. Select **on** to enable or select **oFF** to disable fail-safe operation.

Programming Time Delay

The *On* and *Off* time delays may be programmed for each relay between 0 and 999.9 seconds. The relays will transfer only after the condition has been maintained for the corresponding time delay. The *On* time delay is associated with the set point. The *Off* time delay is associated with the reset point.

Relay Action for Loss of Input (Loop Break)

The loop break feature is associated with the current or voltage input. Each relay may be programmed to go to one of the following conditions when the meter detects the loss of the input signal (i.e. < 25 mA):

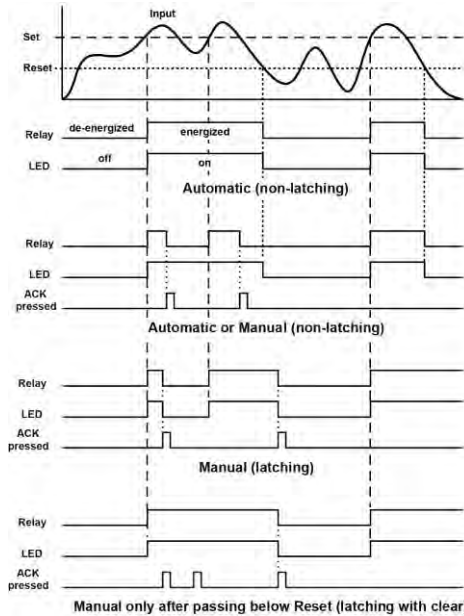
1. Turn *On* (Go to alarm condition)
2. Turn *Off* (Go to non-alarm condition)
3. Ignore (Processed as a low signal condition)

Note: This is not a true loop break condition; if the signal drops below 25 mA, it is interpreted as a "loop break" condition.

Relay and Alarm Operation Diagrams

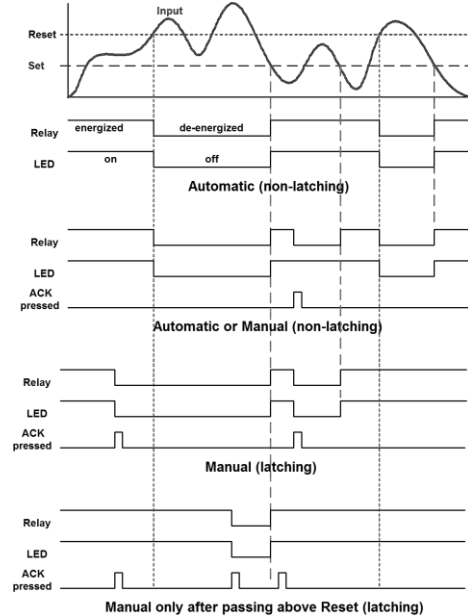
The following graphs illustrate the operation of the relays, status LEDs, and ACK button.

High Alarm Operation (Set > Reset)



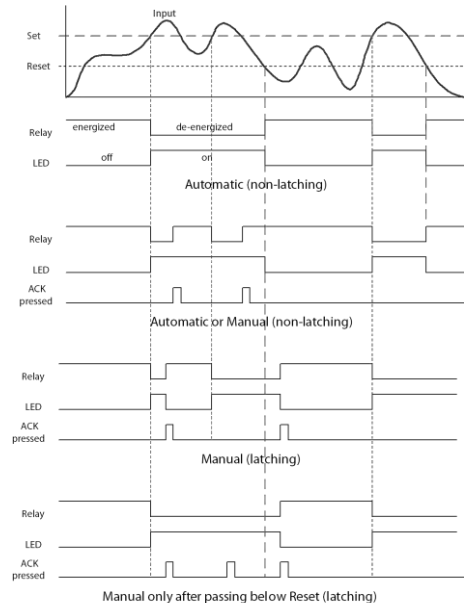
For Manual reset mode, ACK can be pressed anytime to turn "off" relay. To detect a new alarm condition, the signal must go below the set point, and then go above it.

Low Alarm Operation (Set < Reset)



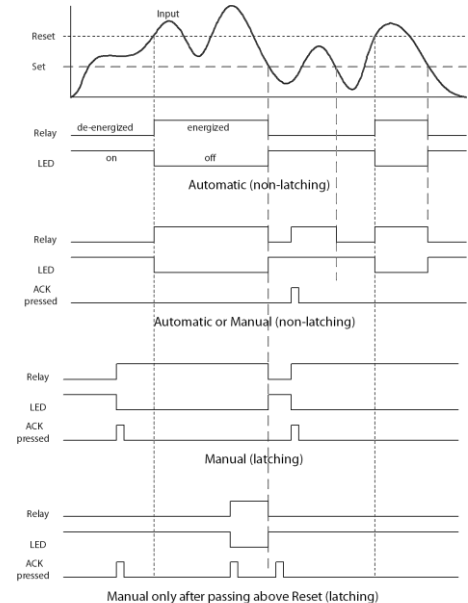
For Manual reset mode, ACK can be pressed anytime to turn "off" relay. For relay to turn back "on", signal must go above set point and then go below it.

High Alarm with Fail-Safe Operation (Set > Reset)



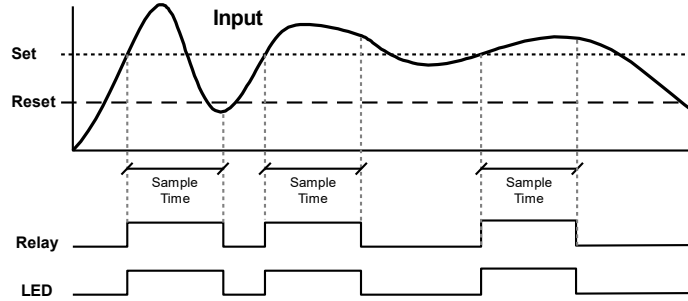
Note: Relay coil is energized in non-alarm condition. In case of power failure, relay will go to alarm state.

Low Alarm with Fail-Safe Operation (Set < Reset)



Note: Relay coil is energized in non-alarm condition. In case of power failure, relay will go to alarm state.

Relay Sampling Operation

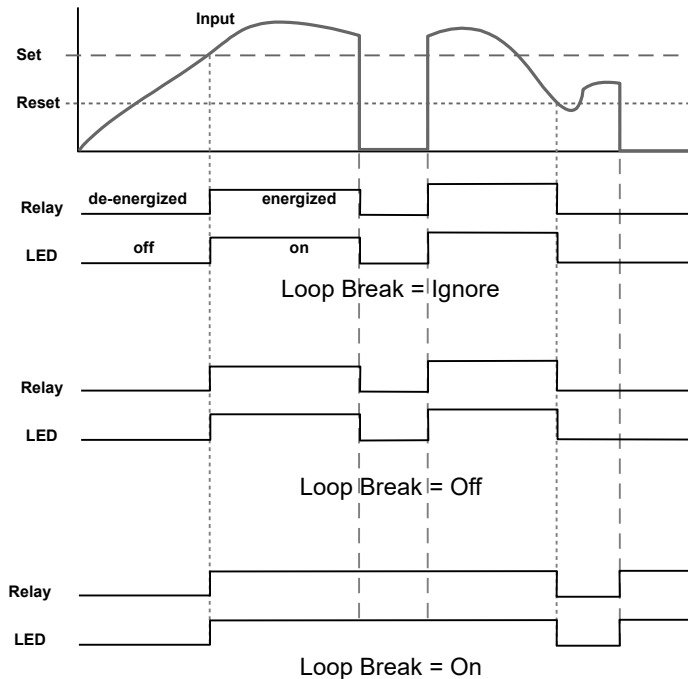


When the signal crosses the set point, the relay trips and the sample time starts. After the sample time has elapsed, the relay resets. The cycle repeats every time the set point is crossed, going up for high alarms and going down for low alarms.

The sample time can be programmed between 0.1 and 5999.9 seconds.

Signal Loss or Loop Break Relay Operation

The following graph shows the loop break relay operation for a high alarm relay.

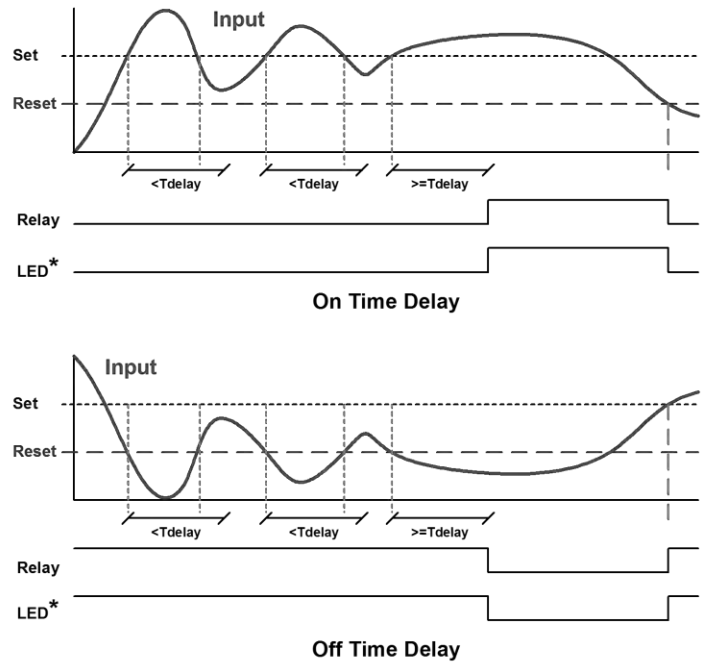


When the meter detects a break in the current or voltage loop, the relay will go to one of the following selected actions:

1. Turn *On* (Go to alarm condition)
2. Turn *Off* (Go to non-alarm condition)
3. Ignore (Processed as a low signal condition)

Time Delay Operation

The following graphs show the operation of the time delay function.



When the signal crosses the set point, the *On* time delay timer starts and the relay trips when the time delay has elapsed. If the signal drops below the set point (high alarm) before the time delay has elapsed, the *On* time delay timer resets and the relay does not change state. The same principle applies to the *Off* time delay.

Note: If "Automatic or Manual (R-n, Rn)" reset mode is selected, the LED follows the reset point and not the relay state when the relay is acknowledged.

Relay Operation Details

Overview

The relay capabilities of the meter expand its usefulness beyond simple indication to provide users with alarm and control functions. These capabilities include front panel alarm status LEDs as well as either 2 or 4 optional internal relays and/or 4 external relays expansion module. Typical applications include monitoring of high voltages and currents having to do with applications related to generators, voltage monitoring, current monitoring, or detecting locked rotor conditions. There are three basic ways the relays may typically be used:

1. High or Low Alarms with Latching or Non-Latching Relays
2. Simple On/Off Control with 100% Adjustable Deadband
3. Sampling (Based on Time)

Relays Auto Initialization

When power is applied to the meter, the front panel LEDs and alarm relays will reflect the state of the input to the meter. The following table indicates how the alarm LEDs and relays will react on power-up based on the set and reset points:

| Alarm # | HI or LO Alarm | Set Point | Reset Point | Power-Up Reading | Relay & LED |
|---------|----------------|-----------|-------------|------------------|-------------|
| 1 | HI | 250 | 200 | 199 | Off |
| 2 | LO | 200 | 250 | 199 | On |
| 3 | LO | 100 | 150 | 199 | Off |
| 4 | HI | 150 | 100 | 199 | On |

Fail-Safe Operation

The following table indicates how the relays behave based on the fail-safe selection for each relay:

Note: NO = Normally Open, NC = Normally Closed. This refers to the condition of the relay contacts when the power to the meter is off.

| Fail-Safe Selection | Non-Alarm State | | Alarm State | | Power Failure |
|---------------------|-----------------|--------|-------------|--------|------------------------------|
| | NO | NC | NO | NC | |
| Off | Open | Closed | Closed | Open | Relays go to non-alarm state |
| On | Closed | Open | Open | Closed | Relays go to alarm state |

Front Panel LEDs

The LEDs on the front panel provide status indication for the following:

The meter is supplied with four alarm points that include front panel LEDs to indicate alarm conditions. This standard feature is particularly useful for alarm applications that require visual-only indication. The LEDs are controlled by the set and reset points programmed by the user. When the display reaches a set point for a high or low alarm, the corresponding alarm LED will turn on. When the display returns to the reset point the LED will go off. The front panel LEDs responds differently for latching and non-latching relays.

| LED | Status |
|-----|---------|
| 1 | Alarm 1 |
| 2 | Alarm 2 |
| 3 | Alarm 3 |
| 4 | Alarm 4 |

| LED | Status |
|-----|---------|
| 5 | Alarm 5 |
| 6 | Alarm 6 |
| 7 | Alarm 7 |
| 8 | Alarm 8 |

For non-latching relays, the LED is always off during normal condition and always on during alarm condition, regardless of the state of the relay (e.g. Relay acknowledged after alarm condition).


For latching relays, the alarm LEDs reflects the status of the relays, regardless of the alarm condition. The following tables illustrate how the alarm LEDs function in relation to the relays and the acknowledge button (Default: F3 key assigned to ACK).

Latching and Non-Latching Relay Operation

The relays can be set up for latching (manual reset) or non-latching (automatic reset) operation.

The On and Off terminology does not refer to the status of the relay's coil, which depends on the fail-safe mode selected.

| Relay terminology for following tables | |
|--|-----------------|
| Terminology | Relay Condition |
| On | Alarm (Tripped) |
| Off | Normal (Reset) |
| Ack | Acknowledged |



Warning! *In latching relay mode, latched relays will reset (unlatch) when power is cycled.*

Non-Latching Relay (Automatic Reset)

In this application, the meter is set up for automatic reset (non-latching relay). Acknowledging the alarm while it is still present has no effect on either the LED or the relay. When the alarm finally goes away, the relay automatically resets and the LED also goes off.

| Automatic reset only | | |
|----------------------|-----|-------|
| Condition | LED | Relay |
| Normal | Off | Off |
| Alarm | On | On |
| Ack (No effect) | On | On |
| Normal | Off | Off |

Non-Latching Relay (Manual Reset)

In this application, the meter is set up for automatic and manual reset at any time (non-latching relay). The LED and the relay automatically reset when the meter returns to the normal condition.

The next time an alarm occurs, the operator acknowledges the alarm manually while the alarm condition still exists. This causes the relay to reset, but the LED stays on until the meter returns to the normal condition.

| Automatic + manual reset at any time | | |
|--------------------------------------|-----|-------|
| Condition | LED | Relay |
| Normal | Off | Off |
| Alarm | On | On |
| Normal | Off | Off |
| Next Alarm | On | On |
| Ack | On | Off |
| Normal | Off | Off |

Latching Relay (Manual Reset)

In this application, the meter is set up for manual reset at any time. Acknowledging the alarm even if the alarm condition is still present resets the relay and turns off the LED.

| Manual reset any time | | |
|-----------------------|-----|-------|
| Condition | LED | Relay |
| Normal | Off | Off |
| Alarm | On | On |
| Ack | Off | Off |

Latching Relay (Automatic Reset)

In this application, the meter is set up for manual reset only after the signal passes the reset point (alarm condition has cleared). Acknowledging the alarm while it is still present has no effect on either the LED or the relay. When the alarm is acknowledged after it returns to the normal state, the LED and the relay go off. Notice that the LED remains on, even after the meter returns to the normal condition. This is because, for latching relays, the alarm LED reflects the status of the relay, regardless of the alarm condition.

| Manual reset only after alarm condition has cleared | | |
|---|-----|-------|
| Condition | LED | Relay |
| Normal | Off | Off |
| Alarm | On | On |
| Ack (No effect) | On | On |
| Normal | On | On |
| Ack | Off | Off |

Acknowledging Relays

There are two ways to acknowledge relays programmed for manual reset:

1. Via the programmable front panel function keys F1-F3 (Default: F3 assigned to ACK).
2. Remotely via a normally open pushbutton wired across one of the digital inputs and the +5 V terminals on the digital I/O modules, or using the F4 digital input, which is triggered with a contact closure to COM, or with an active low signal (see page 14).

When the ACK button or the assigned digital input is closed, all relays programmed for manual reset are acknowledged.

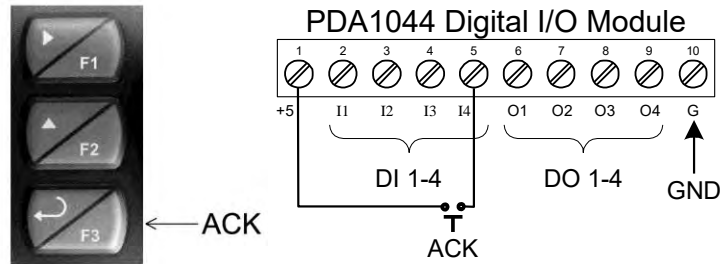


Figure 21. Acknowledge Relays w/Function Key or Digital Input

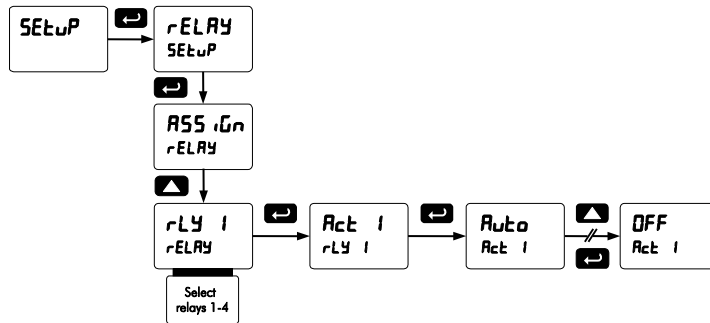
Pump Alternation Control Applications (ALTERN)

Pump alternation control is not recommended when using this meter, as it is used only in voltage and current monitoring applications, and not with rate, total, or batching applications. For information on using pump alternation control for level, see the PD6060 instruction manual available at www.predig.com.

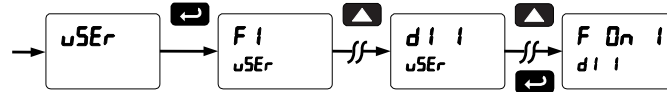
Setting Up the Interlock Relay (Force On) Feature

Relays 1-4 can be set up as interlock relays. To set up the relays for the interlock feature:

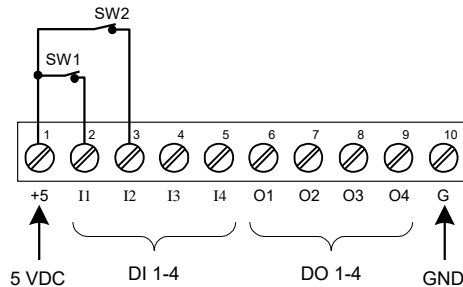
1. Access the *Setup – Relay – Action* menu and set the action to off.



2. In the *Advanced features – User* menu program any of the digital inputs to *Force On* any of the internal relays (1-4).



3. Connect a switch or dry contact between the +5V terminal and the corresponding digital input (dI-1 to dI-4) terminal.



Interlock Relay Operation Example

Relays 1 & 2 are configured to energize (their front panel LEDs are off) when SW1 & SW2 switches (above) are closed. If the contacts to these digital inputs are opened, the corresponding front panel LEDs flash, indicating this condition. The processes being controlled by the interlock relay will stop, and will re-start only after the interlock relay is re-activated by the digital inputs (switches).

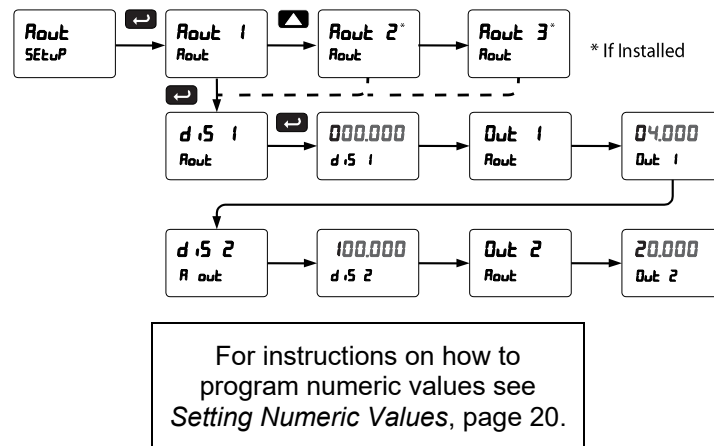
Note: If multiple digital inputs are assigned to the same relay, then the corresponding logic is (AND) – i.e. both switches must be closed to trip the relay.

Scaling the 4-20 mA Analog Output (Rout)

The 4-20 mA analog outputs can be scaled to provide a 4-20 mA signal for any display range selected. To select the channel and source assignments the analog outputs are assigned to, see *Analog Output Source* on page 41.

No equipment is needed to scale the analog outputs; simply program the display values to the corresponding mA output signal.

The *Analog Output* menu is used to program the 4-20 mA outputs based on display values.

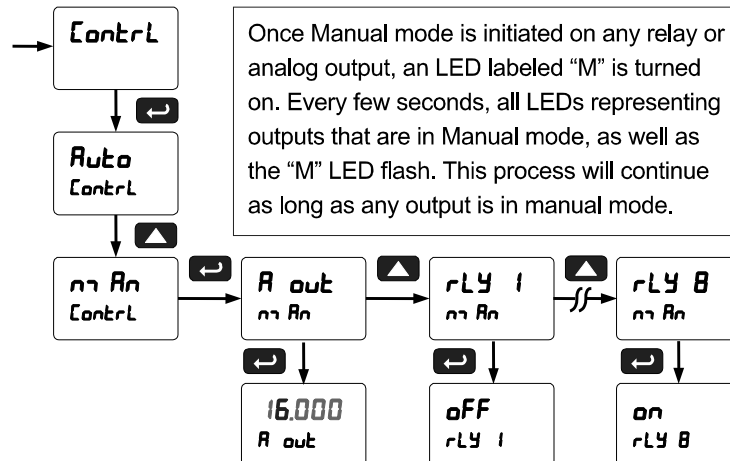


Reset Menu (rESEt)

The *Reset* menu is used to reset the maximum or minimum reading (peak or valley) reached by the process; both may be reset at the same time by selecting “reset high & low” (rSEt HL).

Control Menu (ContRL)

The *Control* menu is used to control the 4-20 mA analog output and the relays manually, ignoring the input. Each relay and analog output can be programmed independently for manual control. Selecting automatic control sets all relays and analog output for automatic operation.



Setting Up the Password (PASS)

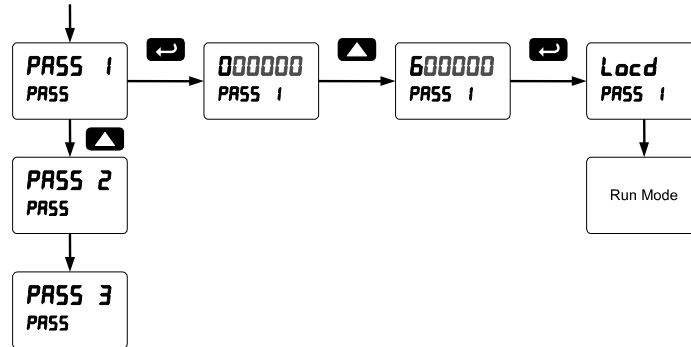
The *Password* menu is used for programming three levels of security to prevent unauthorized changes to the programmed parameter settings.

Pass 1: Allows use of function keys and digital inputs
 Pass 2: Allows use of function keys, digital inputs and editing set/reset points
 Pass 3: Restricts all programming, function keys, and digital inputs.

Protecting or Locking the Meter

Enter the *Password* menu and program a six-digit password.

For instructions on how to program numeric values see *Setting Numeric Values*, page 20.

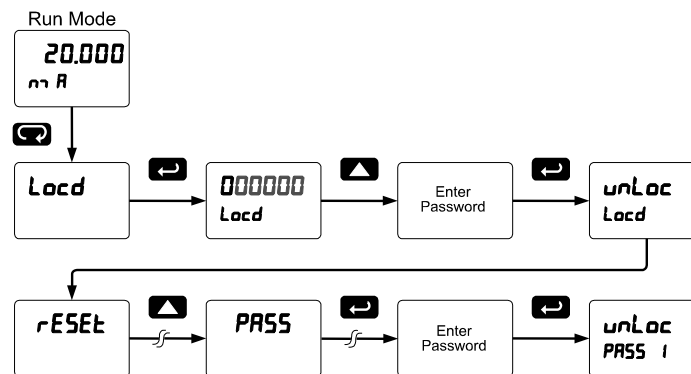


Making Changes to a Password Protected Meter

If the meter is password protected, the meter will display the message *Locd* (*Locked*) when the Menu button is pressed. Press the Enter button while the message is being displayed and enter the correct password to gain access to the menu. After exiting the programming mode, the meter returns to its password protected condition.

Disabling Password Protection

To disable the password protection, access the *Password* menu and enter the correct password twice, as shown below. The meter is now unprotected until a new password is entered.



If the correct six-digit password is entered, the meter displays the message *unLoc* (*Unlocked*) and the protection is disabled until a new password is programmed.

If the password entered is incorrect, the meter displays the message *Locd* (*Locked*) for about two seconds, and then it returns to Run Mode. To try again, press Enter while the *Locked* message is displayed.

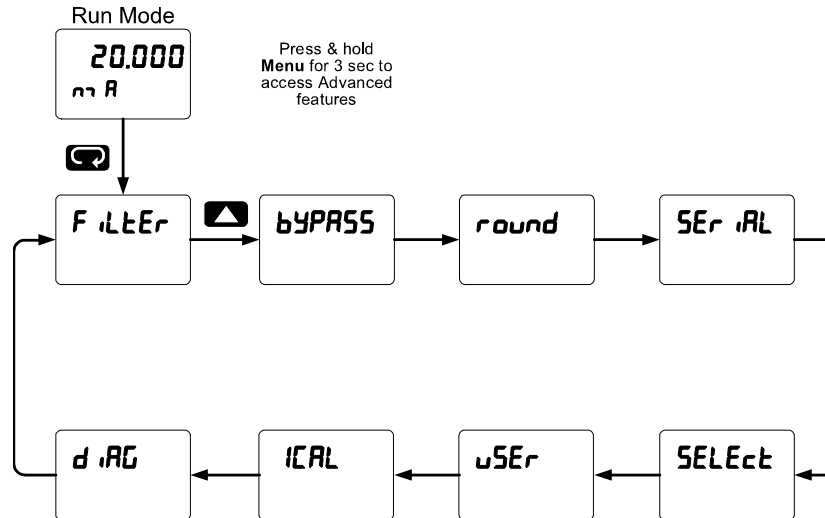
Did you forget the password?

The password may be disabled by entering a master password once. If you are authorized to make changes, enter the master password 508655 to unlock the meter.

Advanced Features Menu

To simplify the setup process, functions not needed for most applications are located in the *Advanced Features* menu.

Press and hold the Menu button for three seconds to access the advanced features of the meter.



Advanced Features Menu & Display Messages

The following table shows the functions and messages of the *Advanced Features* menu in the order they appear in the menu.

| Display | Parameter | Action/Setting |
|----------|----------------|--|
| F,ILtEr | Filter | Set noise filter value |
| [h-A | Channel A | Set filter value for channel A |
| [h-V | Channel V | Set filter value for channel V |
| bYPASS | Bypass | Set filter bypass value |
| [h-A | Channel A | Set filter bypass value for channel A |
| [h-V | Channel V | Set filter bypass value for channel V |
| round | Round | Set the rounding value for display variables |
| SErIAL | Serial | Set serial communication parameters |
| SLAVE ID | Slave ID | Set slave ID or meter address |
| baud | Baud rate | Select baud rate |
| tr dLY | Transmit delay | Set transmit delay for serial communication |
| PARitY | Parity | Select parity Even, Odd, or None with 1 or 2 stop bits |
| t-bytE | Time byte | Set byte-to-byte timeout |

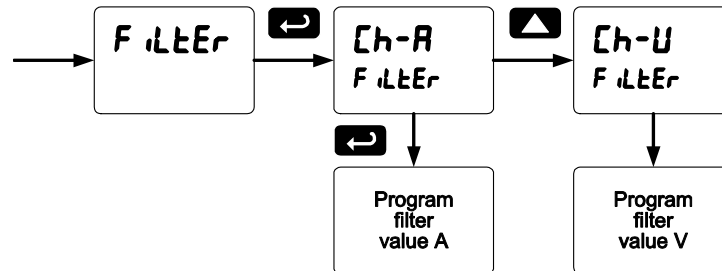
| Display | Parameter | Action/Setting |
|------------|---------------------------|--|
| SELEct | Select | Enter the Select menu (function, cutoff, out) |
| Function | Signal input conditioning | Select linear, square root, programmable exponent, or round horizontal tank function |
| [h-A | Channel A | Select menu for channel A |
| [h-V | Channel V | Select menu for channel V |
| LINEAR | Linear | Set meter for linear function and select number of linearization points |
| no PtS | Number of points | Set the number of linearization points (default: 2) |
| math | Math | Enter the setup menu for channel P math function |
| multiplier | Multiplication | Channel P = ((A*V)+C)*F |
| const | Constant | Constant used in channel P math |
| Adder | Adder | Addition constant used in channel P math calculation (C) |

| Display | Parameter | Action/Setting |
|----------|---------------------------|--|
| Factor | Factor | Multiplication constant used in channel P math calculation (F) |
| Cutoff | Cutoff | Set low-flow cutoff |
| Ch-A | Channel A | Set low-flow cutoff for Channel A |
| Ch-V | Channel V | Set low-flow cutoff for Channel V |
| RoutePr | Analog output programming | Program analog output parameters |
| Route 1* | Analog output 1 | Program analog output 1 (*1-3) parameters |
| Source | Source | Select source for the 4-20 mA output |
| brERH | Loop break | Set relay condition if loop break detected |
| OverRng | Overrange | Program mA output for display overrange |
| Underrng | Underrange | Program mA output for display underrange |
| maxRH | Maximum | Program maximum mA output allowed |
| minRL | Minimum | Program minimum mA output allowed |
| CalRL | Calibrate | Calibrate 4-20 mA output (internal reference source used for scaling the output) |
| 4 mA | 4 mA output | Enter mA output value read by milliamp meter with at least 0.001 mA resolution |
| 20 mA | 20 mA output | Enter mA output value read by milliamp meter with at least 0.001 mA resolution |
| User | User I/O | Assign function keys and digital I/O |
| F 1* | F1* function key | Assign F1 function key (*F1/F2/F3) |
| F4 | F4 function | Assign F4 function (digital input) |

| Display | Parameter | Action/Setting |
|---------|----------------------|---|
| di 1 | Digital input 1 | Assign digital input 1 – 8, if expansion modules are connected |
| do 1 | Digital output 1 | Assign digital output 1 – 8, if expansion modules are connected |
| ICAL | Internal calibration | Enter internal calibration (used for recalibrating the meter with a calibrated signal source) |
| Ch-A | Channel A | Perform calibration on channel A |
| ICAL | Current calibration | Calibrate 4-20 mA current input (internal reference source used for scaling the input) |
| ILo | Current low | Calibrate low current input (e.g. 4 mA) |
| IHi | Current high | Calibrate high current input (e.g. 20 mA) |
| Error | Error | Error, calibration not successful, check signal or programmed value |
| Ch-V | Channel V | Perform calibration on channel V |
| VICAL | Voltage calibration | Calibrate voltage input |
| VLo | Voltage low | Calibrate low voltage input (e.g. 0 V) |
| VHi | Voltage high | Calibrate high voltage input (e.g. 10 V) |
| Error | Error | Error, calibration not successful, check signal or programmed value |
| diAG | Diagnostics | Display parameter settings |
| LED t | LED test | Test all LEDs |
| Info | Information | Display software and S/N information |
| ERASE | Erase | Erase MeterView Pro software stored in meter's memory |

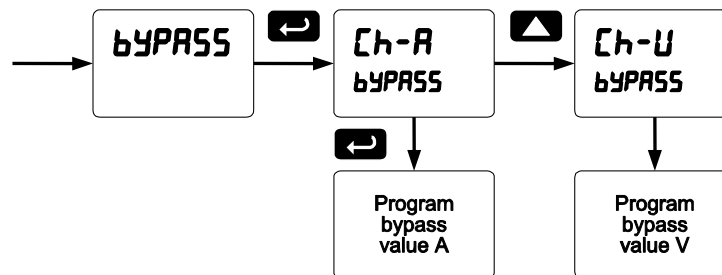
Noise Filter (*F iLLEr*)

The noise filter is available for unusually noisy signals that cause an unstable process variable display. The noise filter averages the input signal over a certain period. The filter level determines the length of time over which the signal is averaged. The filter level can be set between 2 and 199. The higher the filter level, the longer the averaging time and so the longer it takes the display to settle to its final value. Setting the filter level to zero disables the filter function.



Noise Filter Bypass (*bYPASS*)

The noise filter bypass changes the behavior of the meter so that small variations in the signal are filtered out but large abrupt changes in the input signal are displayed immediately. The bypass value determines the minimum amount of signal change to be displayed immediately. All signal changes smaller than the bypass value are filtered or averaged by the meter. The noise filter bypass may be set between 0.1 and 99.9% of full scale.



Rounding Feature (*round*)


The rounding feature is used to give the user a steadier display with fluctuating signals. Rounding is used in addition to the filter function.

Rounding causes the display to round to the nearest value according to the rounding selected. This setting affects the last two digits, regardless of decimal point position.

Modbus RTU Serial Communications (SErIAL)

The meter is equipped with serial communications capability as a standard feature using Modbus RTU Serial Communication Protocol.

The meter may be connected to a PC for initial configuration via the onboard micro USB connection. For ongoing digital communications with a computer or other data terminal equipment, an RS-232, or RS-485 option is required; see *Ordering Information* on page 5 for details.

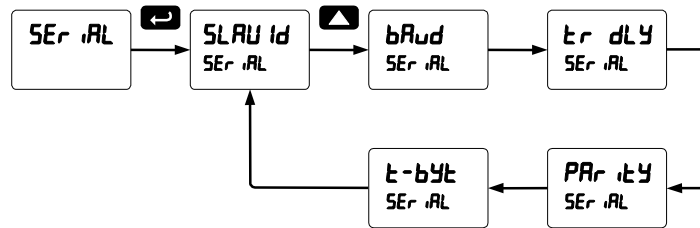


Warning! Do not connect any equipment other than Precision Digital's expansion modules, cables, or meters to the RJ45 M-LINK connector. Otherwise damage will occur to the equipment and the meter.

Note: More detailed instructions are provided with each optional serial communications adapter.

Note: Refer to the ProVu® Modbus Register Tables located at www.predig.com for details.

Note: Changes made to the Serial menu are initialized after the menu key is pressed or after navigating through the remainder of the serial parameters (i.e. pass the t-byte parameter).

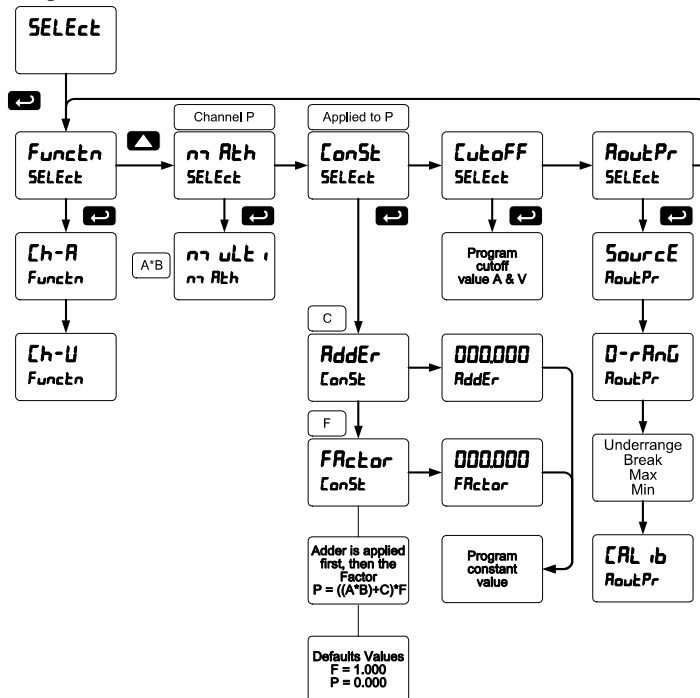


When using more than one meter in a multi-drop mode, each meter must be provided with its own unique address. The meter address (Slave ID) may be programmed between 1 and 247. The transmit delay may be set between 0 and 199 ms. The parity can be set to even, odd, or none with 1 or 2 stop bits.

Changes made to the Serial menu are initialized after the MENU key is pressed or after navigating through the t-byte parameter.

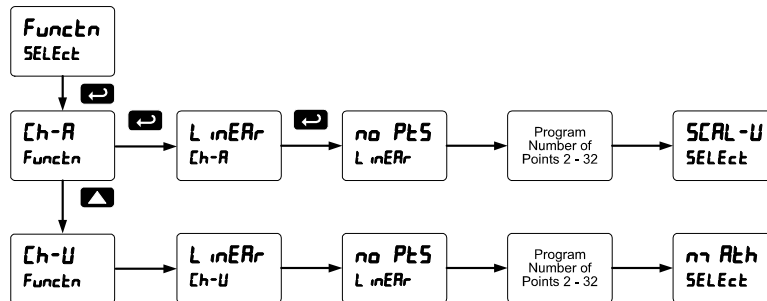
Select Menu (SELEct)

The *Select* menu is used to select the number of linearization points applied to the input for either channel A or V, adder and factor constants applied to the power function $P = ([I*V] + C) * F$, low-flow cutoff, and analog output programming.



Multi-Point Linearization (L nERr)

The multi-point linearization can be used to linearize the display for non-linear signals. The *Function* menu is used to access the *Linear* menu and select the number of linearization points applied to the input for either Ch-A or Ch-V. Meters are set up at the factory for linear function with 2-point linearization. Up to 32 linearization points can be selected for each channel under the linear function.



Note: After Scale is displayed continue pressing the Enter button until the meter completes the scaling of the input and display values.

Math Function (MATH)

Within the *Math* menu is the power function, $P = I * V$, available on this meter to calculate the apparent power. This math function is a combination of input channels A and V, and will display when channel P is selected in the *Display* menu. The actual function, as calculated by the meter, is $P = ([A * V] + C) * F$, where C is the *adder* constant and F is the *Factor* constant.

Math Constants (CONST)

The *Math Constants* menu is used to set the constants used in channel P math. The math function includes input channel A and V, as well as the adder constant C, and factor constant F.

The *Adder* constant (C) may be set from -99.999 to 999.999.

The *Factor* constant (F) may be set from 0.001 to 999.999.

Low-Flow Cutoff (CUTOFF)

The low-flow cutoff feature allows the meter to be programmed so that any noise picked up from nearby transformers or other electric devices that cause an otherwise zero reading to fluctuate always displays zero on the meter.

The cutoff value may be programmed from 0 to 999999. The meter will display zero below the cutoff value. Programming the cutoff value to zero disables the cutoff feature.

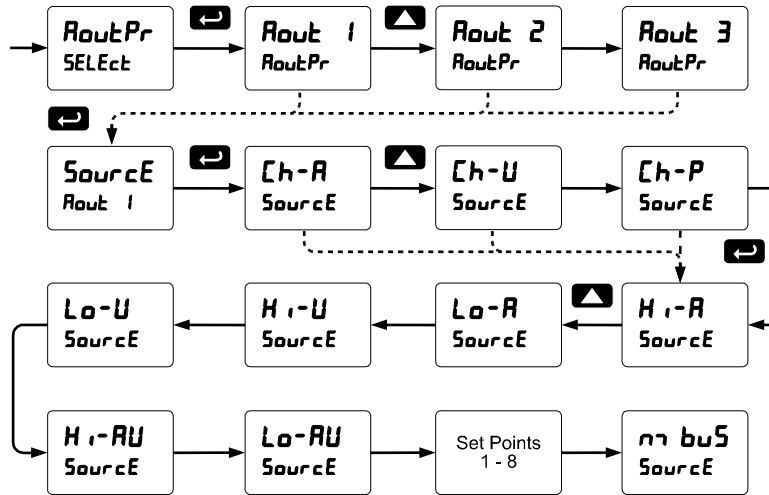
Analog Output Programming (AOUTPR)

The *Analog Output Programming* menu is used to program the behavior of the 4-20 mA output. The following parameters and functions are programmed in this menu:

1. Source: Source for generating the 4-20 mA output
2. Overrange: Analog output value with display in overrange condition
3. Underrange: Analog output value with display in underrange condition
4. Break: Analog output value when loop break is detected
5. Max: Maximum analog output value allowed regardless of input
6. Min: Minimum analog output value allowed regardless of input
7. Calibrate: Calibrate the internal 4-20 mA source reference used to scale the 4-20 mA output

Analog Output Source

The analog output source can be based on either of the input channels (Ch-A, Ch-V), the power channel (Ch-P), maximum stored value of either input channel (Hi-A, Hi-V), minimum stored value of either input channel (Lo-A, Lo-V), relay set points, or the Modbus input.



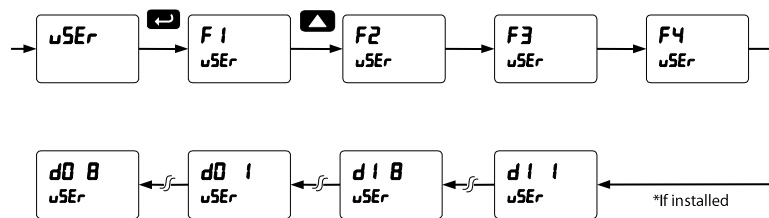
Analog Output Calibration

To perform the analog output calibration, it is recommended to use a milliamp meter with a resolution of at least 0.1 μ A to measure the output current. The values saved internally during this procedure are used for scaling the 4-20 mA output in the *Setup* menu.

Programmable Function Keys User Menu (μ SEr)

The *User* menu allows the user to assign the front panel function keys F1, F2, and F3, the digital input F4 (a digital input located on the signal input connector), and up to eight additional digital inputs to access most of the menus or to activate certain functions immediately (e.g. reset max & min, hold relay states, etc.). This allows the meter to be greatly customized for use in specialized applications.

Up to eight digital outputs can be assigned to a number of actions and functions executed by the meter (i.e. alarms, relay acknowledgement, reset max, min, or max & min, tare, and reset tare). The digital outputs can be used to trigger external alarms or lights to indicate these specific events.



Function Keys & Digital I/O Available Settings

Refer to the following table for descriptions of each available function key or digital I/O setting.

| Display | Description | Display | Description |
|---------|--|----------|--|
| r5t Hi | Reset the stored maximum display values for all channels | Ln2 Hi | Display maximum channel B display value on line 2 |
| r5t Lo | Reset the stored minimum display values for all channels | Ln2 Lo | Display minimum Channel B display value on line 2 |
| r5t HL | Reset the stored maximum & minimum display values for all channels | Ln2 HL | Display maximum & minimum channel B display values on line 2 |
| rELRY | Directly access the relay menu | Ln2HP | Display maximum power channel P display value on line 2 |
| 5Et I* | Directly access the set point menu for relay 1 (*through 8) | Ln2 HP | Display minimum power channel P display value on line 2 |
| rLY d | Disable all relays until a button assigned to <i>enable relays (rLY E)</i> is pressed | Ln2 HP | Display maximum & minimum power channel P display values on line 2 |
| rLY E | Enable all relays to function as they have been programmed | F On I* | Force relay 1 (*through 4) into the on state. This function is used in conjunction with a digital input expansion module to achieve interlock functionality. See page 33 for details about interlock relays. |
| H Hold | Hold current relay states as they are until a button assigned to <i>enable relays (rLY E)</i> is pressed | Control | Directly access the control menu |
| d Hold | Hold the current display value momentarily while the function key or digital input is active. The process value will continue to be calculated in the background. | d5RbL | Disable the selected function key or digital I/O |
| d RUP | Scrolls values for A, V & P when activated. Keeps the last value for 10 seconds and then it returns to its assignment. Values are displayed on display line 1 and the corresponding channel and units on display line 2. | RcH | Acknowledge all active relays that are in a manual operation mode such as auto-manual or latching |
| Ln1 Hi | Display maximum channel A display value on line 1 | rESEt | Directly access the reset menu |
| Ln1 Lo | Display minimum channel A display value on line 1 | nREsu | Mimic the menu button functionality (digital inputs only) |
| Ln1 HL | Display maximum & minimum channel A display values on line 1 | rGHt | Mimic the right arrow/F1 button functionality (digital inputs only) |
| | | uP | Mimic the up arrow/F2 button functionality (digital inputs only) |
| | | EntEr | Mimic the enter/F3 button functionality (digital inputs only) |
| | | RLn r I* | Provide indication when alarm 1 (*through 8) has been triggered (digital outputs only) |

Internal Calibration (ICAL)

The meter is factory calibrated prior to shipment to read in amps and volts. The calibration equipment is certified to NIST standards.

The use of calibrated signal sources is necessary to perform the internal calibration of the meter. Check calibration of the meter at least every 12 months. Each input and input type must be recalibrated separately.

Notes:

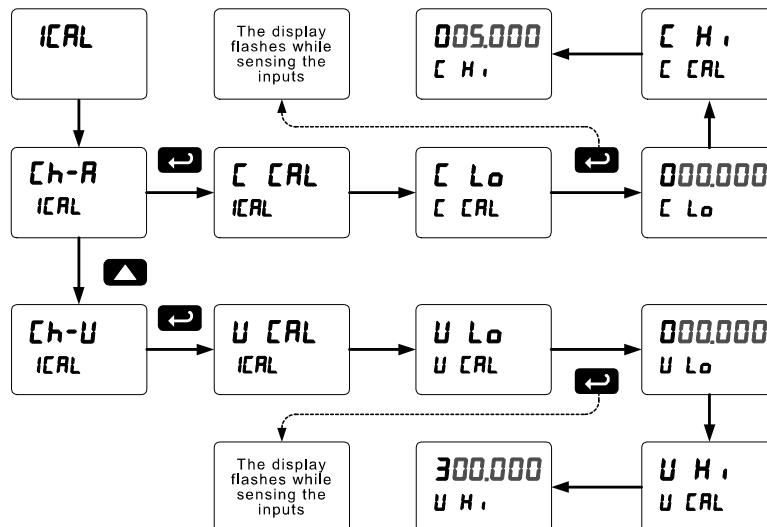
1. If meter is in operation and it is intended to accept only one input type (e.g. 0-5 AAC or 0-300 VDC), recalibration of other input is not necessary.
2. Allow the meter to warm up for at least 15 minutes before performing the internal calibration procedure.

The *Internal calibration* menu is part of the *Advanced Features* menu.

1. Press and hold the Menu button for three seconds to access the advanced features of the meter.
2. Press the Up arrow button to scroll to the *Internal calibration* menu (ICAL) and press Enter.
3. Select channel A (Ch-A) or channel V (Ch-U) and press enter.
4. The meter displays either current calibration (C CAL) or voltage calibration (U CAL) depending on whether channel A (Ch-A) or channel V (Ch-U) is selected. Press Enter to start the calibration process.

Example of Internal Calibration for current input:

5. The meter displays *low* input current message (C Lo). Apply the low input signal and press Enter. The display flashes for a moment while the meter is accepting the low input signal.
6. After the display stops flashing, a number is displayed with the leftmost digit brighter than the rest. The bright digit is the active digit that can be changed by pressing the Up arrow button. Press the Right arrow button to move to the next digit.
7. Set the display value to correspond to the input signal being calibrated (e.g. 0 VDC).
8. The display moves to the *high* input calibration (C Hi). Apply the high input signal and press Enter.
9. Set the display for the high input calibration, in the same way as it was set for the low input calibration (e.g. 300 VDC).



The graphic above shows the calibration of the current input. The voltage input is calibrated in a similar way.

Tips:

- Low and high input signals can be any valid values within the range of the meter.
- Observe minimum input span requirements between input 1 and input 2.
- Low input should be less than high input signal.

Error Message (Error)

An error message indicates that the calibration or scaling process was not successful.

After the error message is displayed, the meter reverts to input 2 during calibration or scaling and to input 1 during internal calibration, allowing the appropriate input signal to be applied or programmed.

The error message might be caused by any of the following conditions:

1. Input signal is not connected to the proper terminals, or it is connected backwards.
2. Wrong signal selection in *Setup* menu.
3. Minimum input span requirements not maintained.

Minimum Input Span

The minimum input span is the minimum difference between input 1 and input 2 signals required to complete the calibration or scaling of the meter.

| Input Range | Input 1 & Input 2 Span |
|---------------|------------------------|
| +/- 0-5 ADC | +/- 0.005 ADC |
| 0-5 AAC | 0.010 AAC |
| +/- 0-300 VDC | +/- 0.1 VDC |
| 0-300 VAC | 0.3 VAC |

Meter Operation





The meter is capable of accepting two input channels (A and V) of either current (0-5 AAC/DC) or voltage signals (0-300 VAC/DC) and displaying these signals in engineering units from -99999 to 999999 (e.g. a 1-5 A signal could be displayed as -50.000 to 50.000).

A power function channel (P) is available to perform the power operation ($P = IV$) on channel A and V, with adder and factor constants, and display the results. Engineering units or tags may be displayed with these three channels.

The dual-line display can be customized by the user. Typically, display line 1 is used to display the channel V, while line 2 is used to alternate between displaying input channels A and P.

Additionally, the meter can be set up to display any channel on line 1 and a unit or tag on line 2. The relays and analog output can be programmed to operate based on any channel.

Front Panel Buttons Operation

| Button Symbol | Description |
|---|---|
|  | Press to enter or exit Programming Mode, view settings, or exit max/min readings |
|  | Press to reset max/min readings or other parameter/function assigned through the <i>User</i> menu |
|  | Press to display max/min readings for channel A or other parameter/function assigned through the <i>User</i> menu |
|  | Press to acknowledge relays or other parameters/function assigned through the <i>User</i> menu |

Function Keys Operation

During operation, the programmable function keys operate according to the way they have been programmed in the *Advanced Features – User* menu.

The table above shows the factory default settings for F1, F2, and F3.

F4 Operation

A digital input, F4, is standard on the meter. This digital input is programmed identically to function keys F1, F2, and F3. The input is triggered with a contact closure to COM, or with an active low signal. During operation, F4 operates according to the way it has been programmed in the *Advanced Features – User* menu.

Maximum/Minimum Readings

The max & min readings (peak & valley) reached by the process can be displayed either continuously or momentary:

1. Display briefly by assigning to the F1-F3 function keys or to the digital inputs in the *User* menu.
2. Display continuously by assigning either display to max/min through the *Display* menu.

Any of the F1-F3 function keys (buttons) and the digital inputs can be programmed to reset the max & min readings. The meters are set at the factory to display the max reading by pressing the Up arrow/F2 button and to use the Right arrow/F1 button to access the *Reset* menu.

To display max and min channel A reading using function key with factory defaults:

1. Press Up arrow/F2 button to display minimum reading of channel A since the last reset/power-up. The display will then display the maximum reading of channel A since the last reset/power-up.
2. Press the Up arrow/F2 button again to display the minimum reading of channel A since the last reset/power up.
3. To reset max/min press Right arrow/F1 button to access the *Reset* menu. The max & min displays are reset to actual values.
4. Press Menu to exit max/min display reading.

Troubleshooting

Due to the many features and functions of the meter, it's possible that the setup of the meter does not agree with what an operator expects to see. If the meter is not working as expected, refer to the *Diagnostics* menu and consult the recommendations described below.

Diagnostics Menu (d ,RG)

The *Diagnostics* menu is located in the *Advanced Features* menu, to access *Diagnostics* menu see *Advanced Features Menu*, page 36.

This menu allows the user to test the functionality of all the meter LEDs, check the meter's software and version information, and erase the MeterView Pro software installation files from the meter. Press the Enter button to view the settings and the Menu button to exit at any time.

For a description of the diagnostic messages, see *Advanced Features Menu & Display Messages*, page 36.

Determining Software Version

To determine the software version of a meter:

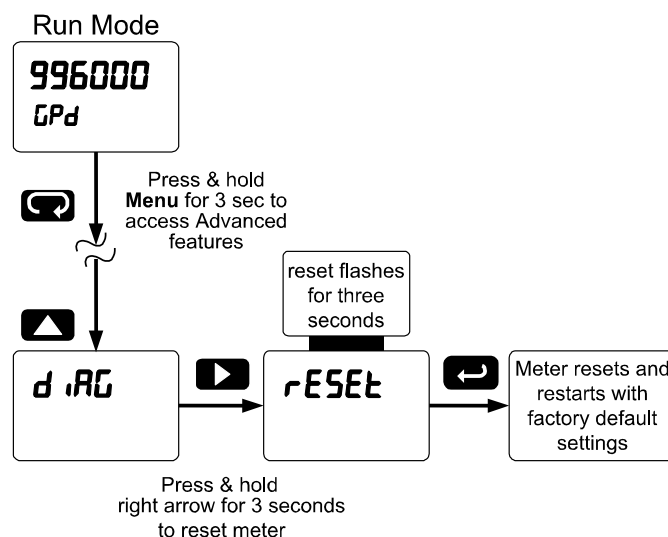
1. Go to the *Diagnostics* menu (d ,RG) and press Enter button.
2. Press Up arrow button and scroll to Information menu (InF0).
3. Press Enter to access the software number (5Ft) and version (UEr) information. Write down the information as it is displayed. Continue pressing Enter until all the information is displayed.
4. The meter returns to Run Mode after displaying all the settings.

Reset Meter to Factory Defaults

When the parameters have been changed in a way that makes it difficult to determine what's happening, it might be better to start the setup process from the factory defaults.

Instructions to load factory defaults:

1. Enter the *Advanced Features* menu. See *Advanced Features Menu*, page 36.
2. Press Up arrow to go to *Diagnostics* menu
3. Press and hold Right arrow for three seconds, press Enter when display flashes rESEt.
Note: If Enter is not pressed within three seconds, the display returns to Run Mode.
4. The meter goes through an initialization sequence (similar as on power-up), and loads the factory default settings.



Factory Defaults & User Settings

The following table shows the factory setting for most of the programmable parameters on the meter.

| Parameter | Display | Default Setting | Parameter | Display | Default Setting |
|-------------------------|----------|-----------------|----------------------|---------|-----------------|
| Unit | unit5 | | Relay 1 assignment | Ch-U | Channel V |
| Unit, channel A | Ch-R | Amp | Relay 1 action | Rct 1 | Automatic |
| Unit, channel V | Ch-U | Volt | Relay 1 set point | SEt 1 | 100.0 |
| Unit, channel P | Ch-P | Power | Relay 1 reset point | rSt 1 | 50.0 |
| Number of points | no Pt5 | | Relay 2 assignment | Ch-U | Channel V |
| Number of points, ch A | Ch-R | ddd.ddd | Relay 2 action | Rct 2 | Automatic |
| Number of points, ch V | Ch-U | dddd.d | Relay 2 set point | SEt 2 | 200.0 |
| Number of points, ch P | Ch-P | dddd.d | Relay 2 reset point | rSt 2 | 150.0 |
| Scaling, (channel A) | ScAL R | | Relay 3 assignment | Ch-U | Channel V |
| Input 1, channel A | inP 1 | 0.000 | Relay 3 action | Rct 3 | Automatic |
| Display 1, channel A | d 5 1 | 0.000 | Relay 3 set point | SEt 3 | 300.0 |
| Input 2, channel A | inP 2 | 5.000 | Relay 3 reset point | rSt 3 | 250.0 |
| Display 2, channel A | d 5 2 | 5.000 | Relay 4 assignment | Ch-U | Channel V |
| Scaling (channel V) | ScAL U | | Relay 4 action | Rct 4 | Automatic |
| Input 1, channel V | inP 1 | 0.000 | Relay 4 set point | SEt 4 | 400.0 |
| Display 1, channel V | d 5 1 | 0.0 | Relay 4 reset point | rSt 4 | 350.0 |
| Input 2, channel V | inP 2 | 100.000 | Fail-safe relay 1 | FLS 1 | Off |
| Display 2, channel V | d 5 2 | 100.0 | Fail-safe relay 2 | FLS 2 | Off |
| Math, channel P | rr uLt 1 | Multiplication | Fail-safe relay 3 | FLS 3 | Off |
| Adder (constant C) | AddEr | 0.000 | Fail-safe relay 4 | FLS 4 | Off |
| Factor (constant F) | FActoR | 1.000 | On delay relay 1 | On 1 | 0.0 sec |
| Filter | F iltEr | | Off delay relay 1 | OFF 1 | 0.0 sec |
| Filter, channel A | Ch-R | 70 | On delay relay 2 | On 2 | 0.0 sec |
| Filter, channel V | Ch-U | 70 | Off delay relay 2 | OFF 2 | 0.0 sec |
| Bypass, channel A | bYPASS | 0.2 | On delay relay 3 | On 3 | 0.0 sec |
| Bypass, channel V | bYPASS | 0.2 | Off delay relay 3 | OFF 3 | 0.0 sec |
| Round | round | 1 | On delay relay 4 | On 4 | 0.0 sec |
| Cutoff | Cutoff | | Off delay relay 4 | OFF 4 | 0.0 sec |
| Cutoff value, channel A | Ch-R | 0.010 | Loop break relay 1 | LnorE | Ignore |
| Cutoff value, channel V | Ch-U | 0.0 (disabled) | Loop break relay 2 | LnorE | Ignore |
| Display assignment | dSPLY | | Loop break relay 3 | LnorE | Ignore |
| Line 1 | d Ch-U | Channel V | Loop break relay 4 | LnorE | Ignore |
| Line 2 | d Ch-R | Channel A | Display 1 analog out | d 5 1 | 4.000 |
| Display intensity | d- IntY | 8 | Output 1 value | Out 1 | 4.000 mA |
| | | | Display 2 analog out | d 5 2 | 20.000 |
| | | | Output 2 value | Out 2 | 20.000 mA |
| | | | Source analog output | Source | Channel A |
| | | | Overrange output | OrRng | 21.000 mA |

| Parameter | Display | Default Setting |
|-----------------------------|----------------|--------------------|
| Underrange output | <i>u-r RnG</i> | 3.000 mA |
| Loop break output | <i>br ERH</i> | 3.000 mA |
| Maximum output | <i>nr RH</i> | 23.000 mA |
| Minimum output | <i>nr n</i> | 3.000 mA |
| Slave ID (Address) | <i>SLAU id</i> | 247 |
| Baud rate | <i>bRud</i> | 9600 |
| Transmit delay | <i>tr dLY</i> | 50 ms |
| Parity | <i>PRr tY</i> | Even |
| Byte-to-byte timeout | <i>t-byt</i> | 010 (0.1 sec) |
| F1 function key | <i>F 1</i> | Reset max & min |
| F2 function key | <i>F 2</i> | Line 1 Max & Min |
| F3 function key | <i>F 3</i> | Acknowledge relays |
| F4 function (digital input) | <i>F 4</i> | Acknowledge relays |

| Parameter | Display | Default Setting |
|------------------|---------------|-------------------|
| Digital input 1 | <i>d i 1</i> | Menu |
| Digital input 2 | <i>d i 2</i> | Right arrow |
| Digital input 3 | <i>d i 3</i> | Up arrow |
| Digital input 4 | <i>d i 4</i> | Enter |
| Digital output 1 | <i>dO 1</i> | Alarm 1 |
| Digital output 2 | <i>dO 2</i> | Alarm 2 |
| Digital output 3 | <i>dO 3</i> | Alarm 3 |
| Digital output 4 | <i>dO 4</i> | Alarm 4 |
| Password 1 | <i>PR55 1</i> | 000000 (unlocked) |
| Password 2 | <i>PR55 2</i> | 000000 (unlocked) |
| Password 3 | <i>PR55 3</i> | 000000 (unlocked) |

Troubleshooting Tips

| Symptom | Check/Action |
|--|--|
| No display at all | Check power at power connector |
| Not able to change setup or programming, <i>L o c d</i> is displayed | Meter is password-protected, enter correct six-digit password to unlock |
| Meter displays error message during calibration (<i>E r r o r</i>) | Check: 1. Signal connections 2. Input selected in <i>Setup</i> menu 3. Minimum input span requirements |
| Meter displays 1. <i>999999</i> 2. <i>-999999</i> | Check: 1. Input selected in <i>Setup</i> menu 2. Corresponding signal at Signal connector |
| Display is unstable | Check: 1. Input signal stability and value 2. Display scaling vs. input signal 3. Filter and bypass values (increase) |
| Display response is too slow | Check filter and bypass values |
| Display reading is not accurate | Check: 1. Signal input conditioner selected: Linear, square root, etc. 2. Scaling or calibration |
| Display does not respond to input changes, reading a fixed number | Check: 1. Display assignment, it might be displaying max, min, or set point. |
| Display alternates between 1. <i>H i</i> and a number 2. <i>L o</i> and a number | Press Menu to exit max/min display readings. |
| Relay operation is reversed | Check: 1. Fail-safe in <i>Setup</i> menu 2. Wiring of relay contacts |
| Relay and status LED do not respond to signal | Check: 1. Relay action in <i>Setup</i> menu 2. Set and reset points |
| Flashing relay status LEDs | Relays in manual control mode or relay interlock switches opened. |
| Meter not communicating with application programs | Check: 1. Serial adapter and cable 2. Serial settings 3. Meter address and baud rate |
| If the display locks up or the meter does not respond at all | Cycle the power to reboot the microprocessor. |
| Other symptoms not described above | Call Technical Support for assistance. |

This Page Intentionally Left Blank



EU Declaration of Conformity

Issued in accordance with ISO/IEC 17050-1:2004.

We,

Precision Digital Corporation
233 South Street
Hopkinton, MA 01748 USA

as the manufacturer, declare under our sole responsibility that the product(s),

Model PD6400 ProVu Series High Voltage & Current Meter

to which this declaration relates, is in conformity with the European Union Directives shown below:

| | |
|-------------------|------------------------------|
| 2014/35/EU | Low Voltage Directive |
| 2014/30/EU | EMC Directive |
| 2011/65/EU | RoHS Directive |

This conformity is based on compliance with the application of harmonized or applicable technical standards and, when applicable or required, a European Union notified body certification.

Standards:

EN 55022:2003
EN 61000-6-2:2001
EN 61010-1:2001
EN 61326:2006

The standards EN 55022:2003, EN 61000-6-2:2001, EN 61010-1:2001, and EN 61326:2006 are no longer harmonized. The requirements of these standards have been checked against the harmonized standards EN 55022:2010, EN 61000-6-2:2005, EN 61010-1:2010, and EN 61326:2013 and there were no major technical changes affecting the latest technical knowledge for the products listed above.

Product Markings:



Signed for and on behalf of Precision Digital Corporation:



Name: Jeffrey Peters
Company: Precision Digital Corporation
Title: President
Date: 04/20/2016

Document No: DoC PD6400 {042016}

How to Contact Precision Digital

- For Technical Support, please
Call: (800) 610-5239 or (508) 655-7300
Fax: (508) 655-8990
Email: support@predig.com
- For Sales Support or to place an order, please contact your local distributor or
Call: (800) 343-1001 or (508) 655-7300
Fax: (508) 655-8990
Email: sales@predig.com
- For the latest version of this manual, please visit
www.predig.com

Order from:

C A Briggs Company

622 Mary Street; Suite 101

Warminster, PA 18974

Phone: 267-673-8117 - Fax: 267-673-8118

Sales@cabriggs.com - www.cabriggs.com

PRECISION DIGITAL CORPORATION

233 South Street • Hopkinton MA 01748 USA

Tel (800) 343-1001 • Fax (508) 655-8990



www.predig.com