



PRECISION DIGITAL CORPORATION  
Since 1974

# 2018 CATALOG



DIGITAL DISPLAYS &  
CONTROLLERS

PRECISION DIGITAL CORPORATION  
1000 W. 10th Street, Suite 101  
Warminster, PA 18974

Order from: **C A Briggs Company**

622 Mary Street, Suite 101; Warminster, PA 18974

Phone: 267-673-8117 - Fax: 267-673-8118

[Sales@cabriggs.com](mailto:Sales@cabriggs.com) - [www.cabriggs.com](http://www.cabriggs.com)



# PRECISION DIGITAL CORPORATION

Since 1974



Level



Pump Alternation



Flow



Batch Control



Wireless Systems



Temperature



Pressure



Hazardous Area



Multivariable



Apparent Power



Alarms

## Why Precision Digital?



2-3 Day Availability



3-Year Warranty



40+ Years of Engineering



Worldwide Approved



## Table of Contents

	<b>INDUSTRIAL WIRELESS</b>
6	Wireless Systems
7	Wireless Accessories
	<b>PROCESS INPUTS</b>
8	Panel, Field & Explosion-Proof Meters
12	PID Controllers
13	Multi-Channel Controllers
14	Loop-Powered Meters
21	Panel, Field & Exp-Proof Batch Controllers
22	Panel, Field & Exp-Proof Flow Rate Totalizers
24	Loop-Powered Flow Rate Totalizers
	<b>PULSE INPUTS</b>
26	Panel, Field & Exp-Proof Flow / Rate Totalizers
29	Multi-Channel Controllers
30	Panel, Field & Exp-Proof Batch Controllers
	<b>TEMPERATURE INPUTS</b>
32	Panel, Field & Explosion-Proof Meters
34	PID & Limit Controllers
35	Scanners
	<b>MODBUS RTU INPUTS</b>
36	Panel, Field & Explosion-Proof Scanners
	<b>STRAIN GAUGE INPUTS</b>
40	Panel, Field & Explosion-Proof Meters
	<b>HIGH VOLTAGE &amp; CURRENT INPUTS</b>
41	Panel & Field Meters
	<b>ALARM ANNUNCIATORS</b>
42	Panel & Exp-Proof 4-Point Alarm Annunciators
42	Panel & Exp-Proof 8-Point Alarm Annunciators
	<b>ACCESSORIES</b>
43	General Accessories
	<b>ENCLOSURES</b>
44	NEMA 4 & NEMA 4X Enclosures
	<b>SOFTWARE</b>
46	PC Programming Software

## Index

PD2-6000 . . . . .	8	PD981 . . . . .	13, 29
PD2-6001 . . . . .	10	PD6000 . . . . .	8
PD2-6060 . . . . .	9	PD6001 . . . . .	10
PD2-6080 . . . . .	38	PD6060 . . . . .	9
PD2-6081 . . . . .	39	PD6080 . . . . .	38
PD2-6100 . . . . .	40	PD6081 . . . . .	39
PD2-6200 . . . . .	22	PD6088 . . . . .	37
PD2-6210 . . . . .	21	PD6089 . . . . .	37
PD2-6262 . . . . .	23	PD6100 . . . . .	40
PD2-6300 . . . . .	26	PD6200 . . . . .	22
PD2-6310 . . . . .	30	PD6210 . . . . .	21
PD2-6363 . . . . .	27	PD6262 . . . . .	23
PD2-6400 . . . . .	41	PD6300 . . . . .	26
PD2-7000 . . . . .	32	PD6310 . . . . .	30
PD8-154 . . . . .	42	PD6310-WM . . . . .	31
PD8-158 . . . . .	42	PD6363 . . . . .	27
PD8-765 . . . . .	11, 33	PD6400 . . . . .	41
PD8-6000 . . . . .	8	PD6602 . . . . .	17
PD8-6001 . . . . .	10	PD6603 . . . . .	17
PD8-6060 . . . . .	9	PD6604 . . . . .	17
PD8-6080 . . . . .	38	PD6606 . . . . .	17
PD8-6081 . . . . .	39	PD6607 . . . . .	17
PD8-6100 . . . . .	40	PD6608 . . . . .	17
PD8-6200 . . . . .	22	PD6622 . . . . .	25
PD8-6210 . . . . .	21	PD6624 . . . . .	25
PD8-6262 . . . . .	23	PD6626 . . . . .	25
PD8-6300 . . . . .	26	PD6628 . . . . .	25
PD8-6310 . . . . .	30	PD6700 . . . . .	18
PD8-6310-WM . . . . .	31	PD6701 . . . . .	19
PD8-6363 . . . . .	27	PD6720 . . . . .	24
PD8-7000 . . . . .	32	PD6730 . . . . .	28
PD138 . . . . .	35	PD6730X . . . . .	36
PD154 . . . . .	42	PD6770 . . . . .	20
PD158 . . . . .	42	PD6800 . . . . .	18
PD540 . . . . .	12, 34	PD6801 . . . . .	19
PD570 . . . . .	34	PD6820 . . . . .	24
PD603 . . . . .	12	PD6830 . . . . .	28
PD644 . . . . .	41	PD6830X . . . . .	36
PD662 . . . . .	15	PD6870 . . . . .	20
PD663 . . . . .	15	PD7000 . . . . .	32
PD685 . . . . .	14	PDA10 . . . . .	7
PD686 . . . . .	14	PDS178 . . . . .	35
PD743 . . . . .	34	PDW30 . . . . .	6
PD765 . . . . .	11, 33	PDW90 . . . . .	6
PD765 X2 . . . . .	11, 33		
PD940 . . . . .	13, 29		
PD941 . . . . .	13, 29		
PD980 . . . . .	13, 29		

# What's New



## New Loop Leader Series Approvals for Hazardous & Safe Areas

The Loop Leader PD6600 Series is now available with a variety of safe and hazardous area approvals. Hazardous area models are UL and C-UL listed as intrinsically safe and nonincendive, and ATEX and IECEx Certified for intrinsic safety (gas atmospheres). These models are also UL and C-UL Listed for electrical safety and Type 4X front panel. All models are CE marked.



ATEX & IECEx Intrinsically Safe  
(Hazardous area models only)



UL & C-UL Intrinsically Safe and Nonincendive  
(Hazardous area models only)



UL 61010-1 General Safety Standard  
(Hazardous area models only)



European Conformity (All models)  
EMC, RoHS, and Low Voltage Directives



**Free Download**

[www.predig.com/meterviewxl](http://www.predig.com/meterviewxl)

## MeterView XL Software

Free software for setup of any Loop Leader meter. This makes the Loop Leader Series the first line of 1/8 DIN loop-powered meters that can be programmed with a PC via micro USB cable.



## Intrinsically Safe PD685

The PD685 is now ATEX and IECEx Certified as an intrinsically safe device for use in hazardous areas. The PD685 also has a new look, including a new LCD with larger and easier to read digits and a backlit display.



## Helios Now UL Listed



The Helios large displays and controllers are now UL and C-UL Listed. With its NEMA 4X, IP65 rating, they can operate in the harshest conditions. And their super bright display means they can be seen in the brightest sun!

# Product Overview



## Complete Line of Displays & Controllers

Whether you need a panel meter, a large display for reading from far away in bright sunlight, or an explosion-proof meter for a hazardous area, we have the right display and controller solution.

- All the common inputs
- 1/8 DIN, wall mount, and exp-proof
- All the same inputs and outputs
- All the same programming
- All the same applications
- Free PC-based programming software
- Wide variety of agency approvals



## Industrial Wireless Systems

Our wireless solutions can make previously inaccessible or cost-prohibitive applications more feasible. They're an easy way to get 4-20 mA, discrete, or Modbus signals from where you have them to where you need them.

- Signal wire replacement in tough industrial environments
- Simple to order, configure, & install
- Handles 4-20 mA, digital, and RS-485 Modbus signals
- 1 mile line-of-sight, 500 ft indoor range



## 1/8 DIN Panel Meters

- Standard & large display options
- NEMA 4X front panel
- UL Listed
- Shallow depth enclosure
- Relays, 4-20 mA output, and transmitter power options

## Loop-Powered Meters

- 1/8 DIN, field mount, and exp-proof
- Bright backlit LCD displays
- Solid state relays, retransmission, and output options available
- Agency approved models
- Wide operating temperature ranges



## Additional Products

- Multi-channel controllers
- PID controllers
- Alarm annunciators
- Temperature & process scanners
- NEMA 4X enclosures

# Industrial Wireless Systems



Configure a system at [www.predig.com/wireless](http://www.predig.com/wireless)



## PDW MANAGER PROGRAMMING SOFTWARE

<b>For System</b>	PDW30, PDW90 Windows XP, Vista, 7, 8, 10
<b>Configure</b>	One device at a time
<b>Install</b>	Free download
<b>Comm.</b>	USB

### FEATURES

- Program base stations from PC
- Program field units from a PC

### REQUIRED CABLE

Free USB cable included with units for programming only

### WHY YOU SHOULD BUY

- Reduce Installation Costs
- Wire Replacement
- Easy Setup
- Rugged Enclosures
- Point to Point
- Point to Multi-Point
- Signal Strength Survey Tool



PRECISION DIGITAL WIRELESS

## POINT TO POINT PDW30

<b>Display</b>	32-character Dual-line dot matrix LCD display
<b>Enclosure</b>	NEMA 4X / IP68 Field-mount
<b>Power</b>	12-28 VDC
<b>Operating Temp</b>	-40 to 65°C

### SPECIFICATIONS

<b>Inputs</b>	4-20 mA; 0-10 V, 0-5 V, 1-5 V; 4 digital I/O; RS-485 Modbus
<b>Range</b>	1 mile outdoor line-of-sight, 500 feet indoors
<b>Frequency</b>	900 MHz

### PDW30 FEATURES

- Signal wire replacement in tough industrial environments
- Simple to order, configure, & install
- Handles 4-20 mA, digital, and RS-485 Modbus signals at same time
- 1 mile line-of-sight, 500 ft indoor range
- Rugged, NEMA 4X, IP68 cast aluminum enclosure
- Inputs and outputs on both field units
- 900 MHz

### OPTIONS

- Repeater kit with remote antenna
- Remote antennas



PRECISION DIGITAL WIRELESS

## POINT TO MULTI-POINT PDW90

<b>Field Units Display</b>	32-character Dual-line dot matrix LCD display
<b>Enclosure</b>	NEMA 4X base station NEMA 4X / IP68 field units Field-mount
<b>Power</b>	24 VDC
<b>Operating Temp</b>	-40 to 65°C

### PDW90 BASE STATION FEATURES

- Point to multi-point signal wire replacement in tough industrial environments
- PDW Manager programming software
- Handles 4-20 mA, digital, and RS-485 Modbus signals
- 1 mile line-of-sight, 500 ft indoor range
- Up to 32 field units
- Up to 16 I/O expansion modules

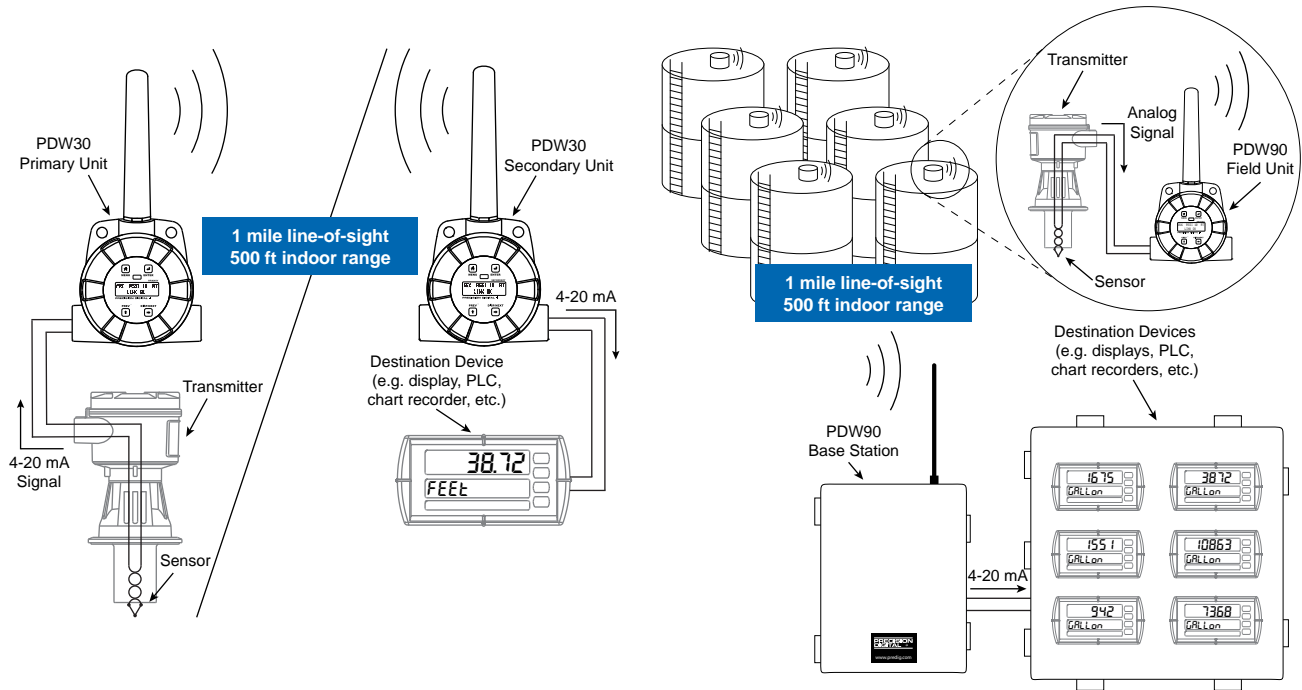
### FIELD UNITS FEATURES

- See PDW30 features

### OPTIONS

- Analog input, analog output, relay output, and digital I/O cards
- Repeater kit with remote antenna
- Remote antennas

# Wireless Applications



## POINT TO POINT WIRELESS SYSTEM

The PDW30 is plug and play ready out of the box to wirelessly bridge a 4-20 mA signal. In addition, the PDW30 can also transmit 4 digital I/O signals and RS-485 Modbus.

## TYPICAL PDW90 POINT TO MULTI-POINT SYSTEM

Wireless remote monitoring of tank levels is a great application for the PDW90 as illustrated above. Multiple transmitters are outputting 4-20 mA signals to wireless field units. The 4-20 mA signals are being wirelessly broadcasted to the PDW90 base station which then sends 4-20 mA signals to the destination devices.

Wiring diagrams do not include power wiring

## Wireless Accessories



### PDA10 PDW WIRELESS SIGNAL STRENGTH SURVEY TOOL

- Stand-alone or with PDW30 / PDW90
- 1 mile line-of-sight, 500 ft indoor range
- Includes a handheld unit & target unit
- Great for testing signal strength at desired installation



### PDW90 BASE STATION EXPANSION MODULES

- PDM90-CA:** Dual analog input
- PDM90-CD:** Four digital I/O
- PDM90-CR:** Dual relay output
- PDM90-CT:** Dual analog output



### PDW30-RNA WIRELESS REPEATERS

**PDW30-RNA:** Repeater for PDW30 & PDW90 systems. Increases range an additional 1 mile line-of-sight, 500 ft indoors



# Process Meters



**1/8 DIN PANEL METER**  
**PD6000**

<b>Display</b>	Dual-line 6-digit 0.60" (15 mm) 0.46" (12 mm) SunBright Option
<b>Enclosure</b>	NEMA 4X / IP65 front 1/8 DIN
<b>Approvals</b>	UL, CE
<b>Setup</b>	4 Front Panel Buttons MeterView Pro



**LARGE DISPLAY WALL MOUNT**  
**PD2-6000**

<b>Display</b>	Dual-line 6-digit 1.80" (46 mm) 1.80" (46 mm) SunBright
<b>Enclosure</b>	NEMA 4X / IP65 Wall Mount
<b>Approvals</b>	UL
<b>Setup</b>	4 Inside Panel Buttons MeterView Pro



**EXPLOSION-PROOF**  
**PD8-6000**

<b>Display</b>	Dual-line 6-digit 0.60" (15 mm) 0.46" (12 mm) SunBright
<b>Enclosure</b>	NEMA 4X, 7, 9 / IP68 Explosion-proof
<b>Approvals</b>	FM, ATEX, CE
<b>Setup</b>	4 SafeTouch Buttons MeterView Pro



## PROGRAMMING SOFTWARE

On-board USB & MeterView Pro programming software

### WHY YOU SHOULD BUY

**Display, Control, Alarm, Re-Transmit**

**Powers the Transmitter**

**Install Virtually Anywhere**

**Use in All 4-20 mA Loops**

**Most Popular Products**

## SPECIFICATIONS

<b>Input</b>	0-20 mA, 4-20 mA; ±10 VDC (0-5, 1-5, 0-10 V); Modbus PV (slave)
<b>Power</b>	85-265 VAC or 12-24 VDC option
<b>Operating Temp</b>	-40 to 65°C

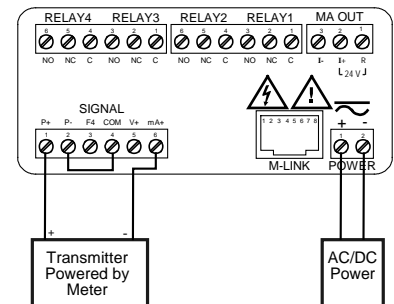
## FEATURES

- 1/8 DIN, wall mount, & explosion-proof
- Dual-line 6-digit display
- Isolated 24 VDC transmitter power supply
- Free PC-based USB programming SW
- Super bright display
- Wide variety of agency approvals
- Modbus RTU communication protocol
- Dual-scale for level applications
- Round horizontal tank formula
- Pump control
- 32-point, square root, or exponential linearization

## OPTIONS

- Isolated 4-20 mA output
- 2 or 4 form C internal relays
- RS-232 & RS-485 serial communications

## POWER THE TRANSMITTER



- Power the transmitter
- Simplify wiring
- Reduce costs



## Dual Input Process Meters



### 1/8 DIN PANEL METER PD6060

<b>Display</b>	Dual-line 6-digit 0.60" (15 mm) 0.46" (12 mm) SunBright option
<b>Enclosure</b>	NEMA 4X / IP65 front 1/8 DIN
<b>Approvals</b>	UL, CE
<b>Setup</b>	4 Front Panel Buttons MeterView Pro



### LARGE DISPLAY WALL MOUNT PD2-6060

<b>Display</b>	Dual-line 6-digit 1.80" (46 mm) 1.80" (46 mm) SunBright
<b>Enclosure</b>	NEMA 4X / IP65 Wall Mount
<b>Approvals</b>	UL
<b>Setup</b>	4 Inside Panel Buttons MeterView Pro



### EXPLOSION-PROOF PD8-6060

<b>Display</b>	Dual-line 6-digit 0.60" (15 mm) 0.46" (12 mm) SunBright
<b>Enclosure</b>	NEMA 4X, 7, 9 / IP68 Explosion-proof
<b>Approvals</b>	FM, ATEX, CE
<b>Setup</b>	4 SafeTouch Buttons MeterView Pro



### PROGRAMMING SOFTWARE

On-board USB & MeterView Pro programming software

#### WHY YOU SHOULD BUY

**Display, Control, Alarm, Re-Transmit**

**Powers the Transmitters**

**Install Virtually Anywhere**

**Use in all 4-20 mA Loops**

**Two Inputs**

### SPECIFICATIONS

<b>Input</b>	Dual 0-20 mA, 4-20 mA; $\pm 10$ VDC (0-5, 1-5, 0-10 V); Modbus PV (slave)
<b>Power</b>	85-265 VAC or 12-24 VDC option
<b>Operating Temp</b>	-40 to 65°C

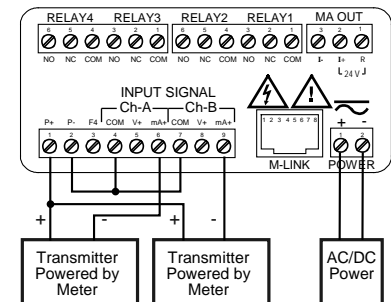
### FEATURES

- 1/8 DIN, wall mount, & explosion-proof
- Dual-line 6-digit display
- Dual isolated 24 VDC transmitter power
- Displays two inputs simultaneously
- Math functions capabilities
- Free PC-based programming software
- Super bright display
- Wide variety of agency approvals
- Modbus RTU communication protocol
- Pump control
- Dual-scale for level applications

### OPTIONS

- Isolated 4-20 mA output
- 2 or 4 form C internal relays
- RS-232 & RS-485 serial communications

### POWER THE TRANSMITTERS



- Power two transmitters
- Simplify wiring
- Reduce costs

## Feet & Inches Level Meters



### 1/8 DIN PANEL METER PD6001

<b>Display</b>	Dual-line 6-digit 0.60" (15 mm) 0.46" (12 mm) SunBright option
<b>Enclosure</b>	NEMA 4X / IP65 front 1/8 DIN
<b>Approvals</b>	UL, CE
<b>Setup</b>	4 Front Panel Buttons MeterView Pro



### LARGE DISPLAY WALL MOUNT PD2-6001

<b>Display</b>	Dual-line 6-digit 1.80" (46 mm) 1.80" (46 mm) SunBright
<b>Enclosure</b>	NEMA 4X / IP65 Wall Mount
<b>Approvals</b>	UL
<b>Setup</b>	4 Inside Panel Buttons MeterView Pro



### EXPLOSION-PROOF PD8-6001

<b>Display</b>	Dual-line 6-digit 0.60" (15 mm) 0.46" (12 mm) SunBright
<b>Enclosure</b>	NEMA 4X, 7, 9 / IP68 Explosion-proof
<b>Approvals</b>	FM, SIL, Ex, CE
<b>Setup</b>	4 SafeTouch Buttons MeterView Pro



### PROGRAMMING SOFTWARE

On-board USB & MeterView Pro programming software

#### WHY YOU SHOULD BUY

**Display, Control, Alarm, Re-Transmit**

**Powers the Transmitter**

**Install Virtually Anywhere**

**Prefer Tank Height Displayed in Feet & Inches - Not Decimal**

### SPECIFICATIONS

<b>Input</b>	0-20 mA, 4-20 mA; ±10 VDC (0-5, 1-5, 0-10 V); Modbus PV (slave)
<b>Power</b>	85-265 VAC or 12-24 VDC option
<b>Operating Temp</b>	-40 to 65°C

### FEATURES

- 1/8 DIN, wall mount, and explosion-proof versions
- Dual-line 6-digit display
- Isolated 24 VDC transmitter power supply
- Feet & inches display ideal for level applications
- Displays up to 99 feet 11 inches & 7/8 or 15/16
- Free PC-based USB programming software
- Super bright display
- Wide variety of agency approvals
- Modbus RTU communication protocol standard
- Pump control
- Dual-scale for height and volume / percentage

### OPTIONS

- Isolated 4-20 mA output
- 2 or 4 form C internal relays
- RS-232 & RS-485 serial communications



See pages 17 & 19 for loop-powered feet & inches meters

## Process & Temperature Meters



Trident Virtual Meter  
[tvm.predig.com](http://tvm.predig.com)



**TRIDENT**

### 1/8 DIN PANEL METER PD765

<b>Display</b>	4-digit 0.56" (14.2 mm)
<b>Enclosure</b>	NEMA 4X / IP65 front 1/8 DIN
<b>Approvals</b>	UL, CE
<b>Setup</b>	4 Front Panel Buttons MeterView Copy Feature



**TRIDENT X2**

### 1/8 DIN PANEL METER PD765 X2

<b>Display</b>	4-digit 1.20" (30.5 mm)
<b>Enclosure</b>	NEMA 4X / IP65 front 1/8 DIN
<b>Approvals</b>	UL, CE
<b>Setup</b>	4 Front Panel Buttons MeterView Copy Feature



**ProtEX**  
 MAX

### EXPLOSION-PROOF PD8-765

<b>Display</b>	4-digit 1.20" (30.5 mm)
<b>Enclosure</b>	NEMA 4X, 7, 9 / IP68 Explosion-Proof
<b>Approvals</b>	FM, SP, CE
<b>Setup</b>	4 SafeTouch Buttons MeterView Copy Feature



### PROGRAMMING SOFTWARE

MeterView programming and monitoring software free download

#### WHY YOU SHOULD BUY

**Display, Control, Alarm, Re-Transmit**

**Powers the Transmitter**

**Install Virtually Anywhere**

**Process & Temperature Inputs**

**Most Popular Products**

### SPECIFICATIONS

<b>Input</b>	Process: 0-20 mA, 4-20 mA; $\pm 10$ VDC (0-5, 1-5, 0-10 V) Temperature: Thermocouple J, K, T, E; RTD 100 $\Omega$ Pt
<b>Power</b>	85-265 VAC or 12-36 VDC option
<b>Operating Temp</b>	-40 to 65°C

### FEATURES

- 1/8 DIN and explosion-proof versions
- Standard & supersized display options
- Sunlight readable display
- Isolated 24 VDC transmitter power supply option
- Field selectable process and temperature inputs
- 1° or 0.1° resolution with RTD & type T thermocouple
- Free PC-based programming and monitoring software
- Wide variety of agency approvals
- Maximum / minimum display
- Linear or square root with low-flow cutoff
- Modbus RTU

### OPTIONS

- 2 relays and 4-20 mA analog output
- 24 VDC transmitter power supply
- Dual 24 VDC transmitter power supplies
- USB, RS-232, & RS-485 serial communications



# Low-Cost Process Meter



*Sabre Series*

**WHY YOU SHOULD BUY**

- Display Only
- Powers the Transmitter
- Cost Effective
- OEM / Large Quantities
- Simple

**PD603 SPECIFICATIONS**

**Input** 0-20 mA, 4-20 mA;  
±10 VDC (0-5, 1-5, 0-10 V)

**Display** 4-digit  
0.56" (14.2 mm)

**Enclosure** NEMA 4X / IP65 front  
1/8 DIN

**Approvals**

**Power** 85-265 VAC or  
12-36 VDC option

**Operating Temp** 0 to 65°C

**FEATURES**

- NEMA 4X front panel
- UL Listed
- Transmitter power option
- Shallow depth enclosure
- Easy front panel programming

**OPTIONS**

- 24 VDC transmitter power supply

**MINIMUM ORDER**

- 5 units

# PID Controllers

**NOVA Virtual Meter**  
[novavirtualmeter.com](http://novavirtualmeter.com)



**PROGRAMMING SOFTWARE**

Nova Multi-Monitoring programming software free download

**WHY YOU SHOULD BUY**

- PID Control
- Auto-Tuning
- Variety of Enclosure Sizes

**PD540 SPECIFICATIONS**

**Input** Thermocouple  
RTD  
Current (with resistor)  
Voltage

**Display** Dual, 4-digit

**Enclosure** 1/16, 3/16, 1/8, 1/4 DIN

**Approvals**

**Power** 100-240 VAC

**Operating Temp** 10 to 50°C

**FEATURES**

- High accuracy auto-tuning PID
- Heating & cooling models
- Up to 3 relays & 2 analog outputs
- Digital input set point selection
- RS-485 serial communications

**OPTIONS**

- Digital inputs
- Heating and cooling
- RS-485 serial communications



**NOVA**

## Multi-Channel Controllers



### PROGRAMMING SOFTWARE

Consolidator programming and monitoring software free download

### WHY YOU SHOULD BUY

Display, Control, Alarm, Re-Transmit

Four or Eight Inputs

Informative Display

### 4-CHANNEL CONTROLLER PD940

Mounting Wall

### PD941

Mounting Panel

### SPECIFICATIONS

<b>Input</b>	Analog: (4) 4-20 mA Pulse: (4) 100 mVp-p to 15 Vp-p, 1 Hz to 10 kHz
<b>Display</b>	6-digit, 4.75" x 3.50" (121 mm x 89 mm)
<b>Enclosure</b>	NEMA 1
<b>Power</b>	90-264 VAC or 8-30 VDC
<b>Operating Temp</b>	0 to 50°C

### FEATURES

- Convenient display of four inputs
- Numeric & bargraph display
- Sunlight readable display
- Four analog inputs
- Four pulse and four digital inputs
- Nine 10 Amp relays
- Four 4-20 mA outputs
- Process / rate & total display
- 32-point linearization
- RS-232 Modbus RTU
- Direct Modbus PV inputs

### OPTIONS

- **PDA2901** NEMA 4X enclosure
- **PDA2904** NEMA 4X enclosure
- **PDP2901** sub panel w/ terminal strips
- **PDP2904** sub panel w/ terminal strips

### 8-CHANNEL CONTROLLER PD980

Mounting Wall

### PD981

Mounting Panel

### SPECIFICATIONS

<b>Input</b>	Analog: (8) 4-20 mA Pulse: (4) 100 mVp-p to 15 Vp-p, 1 Hz to 10 kHz
<b>Display</b>	6-digit, 4.75" x 3.50" (121 mm x 89 mm)
<b>Enclosure</b>	NEMA 1
<b>Power</b>	90-264 VAC or 8-30 VDC
<b>Operating Temp</b>	0 to 50°C

### FEATURES

- Convenient display of eight inputs
- Numeric & bargraph display
- Sunlight readable display
- Eight analog inputs
- Four pulse and four digital inputs
- Nine 10 Amp relays
- Two 4-20 mA outputs
- Process / rate & total display
- 32-point linearization
- RS-232 Modbus RTU
- Direct Modbus PV inputs

### OPTIONS

- **PDA2901** NEMA 4X enclosure
- **PDA2904** NEMA 4X enclosure
- **PDP2901** sub panel w/ terminal strips
- **PDP2904** sub panel w/ terminal strips



PD981 mounted in PDA2901 NEMA 4X enclosure

## Intrinsically Safe Loop-Powered Field-Mount Meter



### WHY YOU SHOULD BUY

- Display Only
- Big Display
- No Extra Power Needed
- Easy 2-Wire Connection
- Use in All 4-20 mA Loops
- Hazardous Area
- HART Transparent

### PD685 SPECIFICATIONS

<b>Input</b>	4-20 mA
<b>Display</b>	3½ digits 1.1" (28 mm)
<b>Enclosure</b>	NEMA 4X / IP67 Field-mount
<b>Approvals</b>	Ⓢ Ⓢ Ⓢ
<b>Power</b>	Loop-powered
<b>V Drop</b>	1.0 V 4.0 V with backlight
<b>Operating Temp</b>	-40 to 75°C

### FEATURES

- Intrinsically safe
- 1 volt drop
- Wide operating temperature range
- Big, easy-to-read, backlit display
- Simplified wiring
- Loop-powered backlight
- ½" conduit hole (bottom)
- Simple zero & span adjustments
- Rugged plastic enclosure
- Conformal coated PCBs

### OPTIONS

- ½" conduit hole (rear, top, or none)
- Pipe & panel mounting kits

## Intrinsically Safe and Nonincendive Loop-Powered Field-Mount Meter



### WHY YOU SHOULD BUY

- Display Only
- Big Display
- No Extra Power Needed
- Easy 2-Wire Connection
- Use in All 4-20 mA Loops
- Hazardous Area
- HART Transparent

### PD686 SPECIFICATIONS

<b>Input</b>	4-20 mA
<b>Display</b>	3½ digits 1.0" (25.4 mm)
<b>Enclosure</b>	NEMA 4X / IP67 Field-mount
<b>Approvals</b>	Ⓢ Ⓢ Ⓢ
<b>Power</b>	Loop-powered
<b>V Drop</b>	1.0 V
<b>Operating Temp</b>	-40 to 85°C

### FEATURES

- Intrinsically safe & nonincendive
- 1 volt drop
- Wide operating temperature range
- Big, easy-to-read display
- Simplified wiring
- ½" conduit hole (bottom)
- Simple zero & span adjustments
- Rugged plastic enclosure
- Conformal coated PCBs

### OPTIONS

- ½" conduit hole (rear, top, or none)
- Pipe & panel mounting kits



# Loop-Powered Meters



**Survivor**



**ProtEX**  
Lite

**WHY YOU SHOULD BUY**

- Display Only
- No Extra Power Needed
- Easy 2-Wire Connection
- Use in All 4-20 mA Loops
- HART Transparent

### FIELD-MOUNT PD662

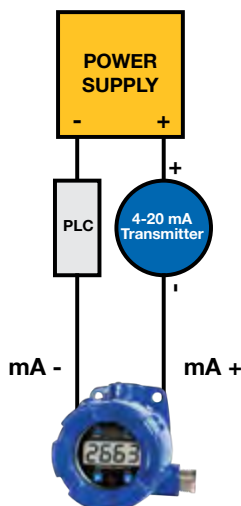
<b>Display</b>	3½+ digits 0.6" (15.24 mm)
<b>Enclosure</b>	NEMA 4X Field-mount
<b>Approvals</b>	UL, CE CSA - electrical safety only
<b>V Drop</b>	1.7 V 3.7 V with backlight
<b>Operating Temp</b>	-40 to 75°C (-55 to 75°C with heater)

### EXPLOSION-PROOF PD663

<b>Display</b>	3½+ digits 0.6" (15.24 mm)
<b>Enclosure</b>	NEMA 4X / IP68 Explosion-proof
<b>Approvals</b>	FM, ATEX, IECEx, CE
<b>V Drop</b>	1.7 V 4.7 V with backlight
<b>Operating Temp</b>	-40 to 75°C

### WHY USE LOOP-POWERED METERS

- Convenience!
- Easy, 2-wire, installation
- No extra power needed
- Can't read the transmitter's display



### PD662 SPECIFICATIONS

<b>Input</b>	4-20 mA
<b>Power</b>	Loop-powered

### PD662 FEATURES

- General purpose
- 1.7 volt drop
- Wide operating temperature range
- Easy-to-read, backlit display
- Simplified wiring
- Loop-powered backlight
- Maximum / minimum display
- Programmable noise filter
- Easy four-button programming
- HART protocol transparent
- Multi-point linearization and square root function

### PD662 OPTIONS

- Heater
- Loop-powered backlight
- Pipe & panel mounting kit
- Stainless steel tags

### PD663 SPECIFICATIONS

<b>Input</b>	4-20 mA
<b>Power</b>	Loop-powered

### PD663 FEATURES

- Explosion-proof
- 1.7 volt drop
- Wide operating temperature range
- Easy-to-read, backlit display
- Simplified wiring
- Loop-powered backlight
- Maximum / minimum display
- Programmable noise filter
- Easy four-button programming
- HART protocol transparent
- Multi-point linearization and square root function

### PD663 OPTIONS

- Loop-powered backlight
- Reed switches for through-glass programming\*
- Pipe & panel mounting kit
- Stainless steel tags

\* PDA-MAG magnetic wand needed for reed switches

# Loop-Powered Meters with Advanced Features & Display



## Designed for Improved Visibility



Flashing Red Message on Alarm

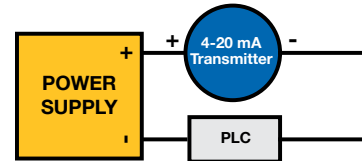
## Why Use Loop-Powered Meters?

- Simplified wiring – break the loop anywhere and wire it in
- No additional power needed
- Hazardous location capability

## The Leader in Loop-Powered Meters

The Loop Leader is equipped with these advanced features not available on previous generation Loop Leaders and rarely found in the market:

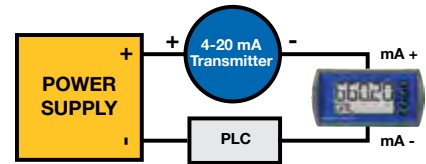
- Dual-line display
- 2 solid state relays
- Isolated 4-20 mA retransmission
- 2-color backlight
- PC-based USB programming software



Typical 4-20 mA loop wiring



Dual-Scale Displays the Same Input in Two Different Scales



4-20 mA loop wiring with a Loop Leader added to the loop

## Free Programming Software

- Simplifies programming
- USB connection provides power during programming
- Save & print configuration files without meter connected
- Micro USB cable provided



Display Flow Rate & Total at Same Time

## Intrinsically Safe Pump Controller

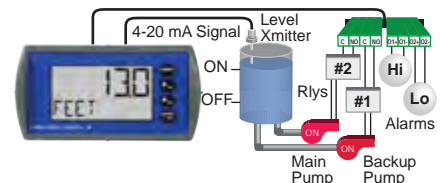
- Alternate two pumps
- High and low level alarm indication
- Alternate on level and run time
- Display pump run times or number of times they have cycled
- Intrinsically safe and nonincendive



USB Powers Meter During Programming



Commas on 8-Digit Totalizer for Easier Reading



## Loop-Powered 1/8 DIN Process Meters



### DECIMAL DISPLAY PD6602

**Approvals** CE  
**Operating Temp** -40 to 75°C

### PD6606

**Approvals** Ex, UL, CE  
I.S. and N.I.  
**Operating Temp** -40 to 70°C



### DECIMAL + BARGRAPH DISPLAY PD6604

**Approvals** CE  
**Operating Temp** -40 to 75°C

### PD6608

**Approvals** Ex, UL, CE  
I.S. and N.I.  
**Operating Temp** -40 to 70°C



### FEET & INCHES DISPLAY PD6603

**Approvals** CE  
**Operating Temp** -40 to 75°C

### PD6607

**Approvals** Ex, UL, CE  
I.S. and N.I.  
**Operating Temp** -40 to 70°C



### PROGRAMMING SOFTWARE

MeterView XL USB-based programming software. Loop Leader powered from USB port during programming

### SPECIFICATIONS

**Input** 4-20 mA  
**Display** 5-digit upper display 0.7" (17.8 mm). Ft & In (PD6603 & PD6607) 8 alphanumeric character lower display 0.4" (10.1 mm) with commas 20-segment bargraph (PD6603, PD6604, PD6607, and PD6608)  
**Enclosure** NEMA 4X / IP65 front, 1/8 DIN, Shallow Depth  
**Power** Loop-powered  
**V Drop** 1.5 V  
4.5 V with backlight

### FEATURES

- General purpose and IS & NI versions
- 1.5 volt drop
- Wide operating temperature range
- NEMA 4X front panel
- Loop-powered backlight standard
- Alphanumeric tag names
- Shallow depth enclosure
- 2 open collector outputs standard
- Timer functions for OC and relays
- Relay pump alternation
- Relay runtime and cycle count
- Conformal coated PCBs

### OPTIONS

- 2 solid state relays
- Isolated 4-20 mA analog output



### ALARM DISPLAY FEATURES

- Red backlight for alarms
- Programmable flashing display
- Custom alarm message
- Alarm indicator

### WHY YOU SHOULD BUY

**Display, Control, Alarm, Re-Transmit**

**No Extra Power Needed**

**Easy 2-Wire Connection**

**Use in All 4-20 mA Loops**

**Hazardous Area**



# Loop-Powered Field-Mount Process Meters



vantageview



ProtEX PRO

**WHY YOU SHOULD BUY**

- Display, Alarm
- No Extra Power Needed
- Easy 2-Wire Connection
- HART Transparent
- Use in All 4-20 mA Loops
- Hazardous Area

**PLASTIC PD6700**

**Enclosure** Plastic  
NEMA 4X / IP65  
Field-mount

**Approvals** None

**V Drop** 3.0 V  
6.0 V with backlight

**EXPLOSION-PROOF PD6800**

**Enclosure** Die-cast aluminum  
NEMA 4X / IP68  
Explosion-proof

**Approvals**

**V Drop** 3.0 V  
6.0 V with backlight

**TWO CONVENIENT DISPLAY OPTIONS**



Standard Display



Display with Bargraph Option

**SPECIFICATIONS**

**Input** 4-20 mA

**Display** 5-digit upper display 0.7" (17.8 mm)  
7 alphanumeric character lower display 0.4" (10.2 mm)  
20-segment bargraph option

**Power** Loop-powered

**Operating Temp** -40 to 75°C

**FEATURES**

- General purpose and explosion-proof versions
- 3.0 volt drop
- Wide operating temperature range
- Wide viewing angle
- Simplified wiring
- Wide viewing angle
- Lower display for alphanumeric tag, volume, or percent
- 32-point, square root, or exponential linearization
- Backlight standard
- Flanges for wall or pipe mounting
- Password protection
- SafeTouch through-window button programming
- Conformal coated PCBs for dust and humidity protection

**OPTIONS**

- Level indication bargraph + open collector Hi or Lo alarm
- Pipe mounting kits
- Stainless steel tags

## Loop-Powered Field-Mount Feet & Inches Meters



vantageview



ProtEX

**WHY YOU SHOULD BUY**

- Display, Alarm
- No Extra Power Needed
- Easy 2-Wire Connection
- HART Transparent
- Prefer Tank Height Displayed in Feet & Inches - Not Decimal

**PLASTIC PD6701**

**Enclosure** Plastic  
NEMA 4X / IP65  
Field-mount

**Approvals** None

**V Drop** 3.0 V  
6.0 V with backlight

**EXPLOSION-PROOF PD6801**

**Enclosure** Die-cast aluminum  
NEMA 4X / IP68  
Explosion-proof

**Approvals**

**V Drop** 3.0 V  
6.0 V with backlight

**THREE CONVENIENT DISPLAY MODES**



Custom Tag



Volume



Percent

**SPECIFICATIONS**

**Input** 4-20 mA

**Display** 0.6" (15.24 mm) feet & inches upper display  
7 alphanumeric character lower display 0.4" (10.2 mm)  
20-segment bargraph

**Power** Loop-powered

**Operating Temp** -40 to 75°C

**FEATURES**

- General purpose and explosion-proof versions
- 3.0 volt drop
- Wide operating temperature range
- Simplified wiring
- Wide viewing angle
- Convenient feet & inches display for those who prefer that format
- Displays up to 699 ft 11 in & 7/8 or 15/16
- Lower display for alphanumeric tag, volume, or percent
- 20-segment tank level bargraph
- Open collector Hi or Lo alarm
- Backlight standard
- Flanges for wall or pipe mounting
- Password protection
- SafeTouch through-window button programming
- Conformal coated PCBs for dust and humidity protection

**OPTIONS**

- Pipe mounting kits
- Stainless steel tags

## Loop-Powered Field-Mount Large Display Meters



vantageview



ProtEX  
FAR VU

**WHY YOU SHOULD BUY**

- Display Only
- Big Display
- No Extra Power Needed
- Easy 2-Wire Connection
- Use in all 4-20 mA Loops
- Hazardous Area

**PLASTIC  
PD6770**

**Enclosure** Plastic  
NEMA 4X / IP65  
Field-mount

**Approvals** None

**V Drop** 1.0 V  
4.0 V with backlight

**EXPLOSION-PROOF  
PD6870**

**Enclosure** Die-cast aluminum  
NEMA 4X / IP68  
Explosion-proof

**Approvals**

**V Drop** 1.0 V  
4.0 V with backlight

**WHY USE  
LOOP-POWERED METERS**

- Convenience!
- Easy, 2-wire, installation
- No extra power needed
- Can't read the transmitter's display

**SPECIFICATIONS**

**Input** 4-20 mA

**Display** 3½ digits, 1.0" (25.4 mm)

**Power** Loop-powered

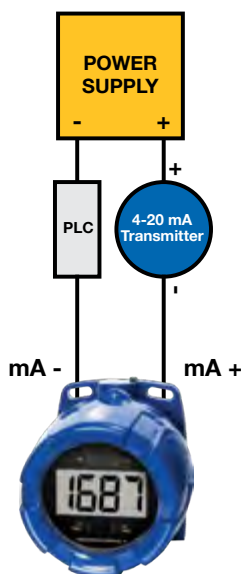
**Operating Temp** -40 to 75°C

**FEATURES**

- General purpose and explosion-proof versions
- 1.0 volt drop
- Wide operating temperature range
- Big, easy-to-read, backlit display
- Simplified wiring
- Wide viewing angle
- Flanges for wall or pipe mounting
- Easy calibration and installation
- HART Protocol Transparent
- Conformal coated PCBs for dust and humidity protection

**OPTIONS**

- Loop-powered backlight (PD6870)
- Pipe mounting kits
- Stainless steel tags



## Batch Controllers



### 1/8 DIN PANEL METER PD6210

<b>Display</b>	Dual-line 6-digit 0.60" (15 mm) 0.46" (12 mm) SunBright Option
<b>Enclosure</b>	NEMA 4X / IP65 front 1/8 DIN
<b>Approvals</b>	UL, CE
<b>Setup</b>	4 Front Panel Buttons MeterView Pro



### LARGE DISPLAY WALL MOUNT PD2-6210

<b>Display</b>	Dual-line 6-digit 1.80" (46 mm) 1.80" (46 mm) SunBright
<b>Enclosure</b>	NEMA 4X / IP65 Wall Mount
<b>Approvals</b>	UL
<b>Setup</b>	4 Inside Panel Buttons MeterView Pro



### EXPLOSION-PROOF PD8-6210

<b>Display</b>	Dual-line 6-digit 0.60" (15 mm) 0.46" (12 mm) SunBright
<b>Enclosure</b>	NEMA 4X, 7, 9 / IP68 Explosion-proof
<b>Approvals</b>	FM APPROVED, SIL, Ex, CE
<b>Setup</b>	4 SafeTouch Buttons MeterView Pro



### PROGRAMMING SOFTWARE

On-board USB & MeterView Pro programming software

#### WHY YOU SHOULD BUY

- Batch Control
- Automatic or Manual
- Powers the Flowmeter
- Install Virtually Anywhere

### SPECIFICATIONS

<b>Input</b>	0-20 mA, 4-20 mA; $\pm 10$ VDC (0-5, 1-5, 0-10 V); Modbus PV (slave)
<b>Power</b>	85-265 VAC or 12-24 VDC option
<b>Operating Temp</b>	-40 to 65°C

### FEATURES

- 1/8 DIN, wall mount, and explosion-proof versions
- Dual-line 6-digit display
- Isolated 24 VDC transmitter power supply
- Start, pause, & stop batch with front panel buttons or free software
- Display batch total + rate, grand total, batch count or preset
- Single or multi-stage batching with up to 8 relays
- Automatic overrun correction
- Manual control or automatic batching
- Count up or down with each batch
- Free PC-based USB programming software
- Super bright display
- Modbus RTU communication protocol standard
- On-board digital input (for remote reset)

### OPTIONS

- Isolated 4-20 mA output
- 2 or 4 form C internal relays
- RS-232 & RS-485 serial communications



# Flow Rate / Totalizers



**1/8 DIN PANEL METER**  
**PD6200**

**Display** Dual-line 6-digit  
0.60" (15 mm)  
0.46" (12 mm)  
SunBright Option

**Enclosure** NEMA 4X / IP65 front  
1/8 DIN

**Approvals** CE

**Setup** 4 Front Panel Buttons  
MeterView Pro



**LARGE DISPLAY WALL MOUNT**  
**PD2-6200**

**Display** Dual-line 6-digit  
1.80" (46 mm)  
1.80" (46 mm)  
SunBright

**Enclosure** NEMA 4X / IP65  
Wall Mount

**Approvals** CE

**Setup** 4 Inside Panel Buttons  
MeterView Pro



**EXPLOSION-PROOF**  
**PD8-6200**

**Display** Dual-line 6-digit  
0.60" (15 mm)  
0.46" (12 mm)  
SunBright

**Enclosure** NEMA 4X, 7, 9 / IP68  
Explosion-proof

**Approvals** CE

**Setup** 4 SafeTouch Buttons  
MeterView Pro



## PROGRAMMING SOFTWARE

On-board USB & MeterView Pro programming software

### WHY YOU SHOULD BUY

**Display, Control, Alarm, Re-Transmit**

**Powers the Flowmeter**

**Install Virtually Anywhere**

**Flow Rate & Total**

**Hazardous Area**

## SPECIFICATIONS

**Input** 0-20 mA, 4-20 mA;  $\pm 10$  VDC (0-5, 1-5, 0-10 V); Modbus PV (slave)

**Power** 85-265 VAC or 12-24 VDC option

**Operating Temp** -40 to 65°C

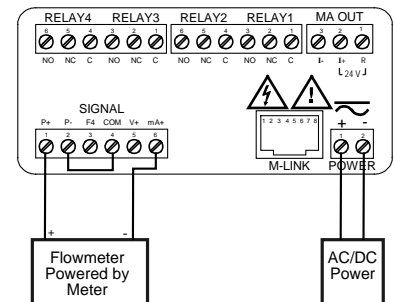
## FEATURES

- 1/8 DIN, wall mount, & explosion-proof
- Dual-line 6-digit display
- Isolated 24 VDC flowmeter power
- Display rate and total simultaneously
- Rate in second, minute, hour, or day
- Count up or down, total & grand total
- Total, grand or non-resettable grand total
- Free PC-based USB programming SW
- Super bright display
- Wide variety of agency approvals
- Modbus RTU communication protocol
- Open channel flow
- On-board digital input (for remote reset)

## OPTIONS

- Isolated 4-20 mA output
- 2 or 4 form C internal relays
- RS-232 & RS-485 serial communications

## POWER THE FLOWMETER



- Power the flowmeter
- Simplify wiring
- Reduce costs

## Dual Input Flow Rate / Totalizers



**PROVU**  
SERIES

### 1/8 DIN PANEL METER PD6262

<b>Display</b>	Dual-line 6-digit 0.60" (15 mm) 0.46" (12 mm) SunBright Option
<b>Enclosure</b>	NEMA 4X / IP65 front 1/8 DIN
<b>Approvals</b>	UL, CE
<b>Setup</b>	4 Front Panel Buttons MeterView Pro



**HELIOS**

### LARGE DISPLAY WALL MOUNT PD2-6262

<b>Display</b>	Dual-line 6-digit 1.80" (46 mm) 1.80" (46 mm) SunBright
<b>Enclosure</b>	NEMA 4X / IP65 Wall Mount
<b>Approvals</b>	UL
<b>Setup</b>	4 Inside Panel Buttons MeterView Pro



**ProtEX**  
MAX

### EXPLOSION-PROOF PD8-6262

<b>Display</b>	Dual-line 6-digit 0.60" (15 mm) 0.46" (12 mm) SunBright
<b>Enclosure</b>	NEMA 4X, 7, 9 / IP68 Explosion-proof
<b>Approvals</b>	FM, ATEX, CE
<b>Setup</b>	4 SafeTouch Buttons MeterView Pro



### PROGRAMMING SOFTWARE

On-board USB & MeterView Pro programming software

#### WHY YOU SHOULD BUY

Display, Control, Alarm, Re-Transmit

Powers the Flowmeters

Install Virtually Anywhere

Flow Rate & Total

Net Fuel Consumption

Two Inputs

### SPECIFICATIONS

<b>Input</b>	Dual 0-20 mA, 4-20 mA; ±10 VDC (0-5, 1-5, 0-10 V); Modbus PV (slave)
<b>Power</b>	85-265 VAC or 12-24 VDC option
<b>Operating Temp</b>	-40 to 65°C

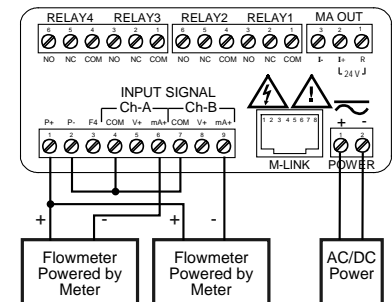
### FEATURES

- 1/8 DIN, wall mount, & explosion-proof
- Dual-line 6-digit display
- Dual isolated 24 VDC flowmeter power
- Display two flow inputs simultaneously
- Display rate & total simultaneously
- Rate in second, minute, hour, or day
- Math functions capabilities
- Count up or down, total & grand total
- Open channel flow
- Total, grand or non-resettable grand total
- Free PC-based USB programming SW
- Super bright display
- On-board digital input (for remote reset)

### OPTIONS

- Isolated 4-20 mA output
- 2 or 4 form C internal relays
- RS-232 & RS-485 serial communications

### POWER THE FLOWMETERS



- Power two flowmeters
- Simplify wiring
- Reduce costs

## Loop-Powered Field-Mount Flow Rate / Totalizers



vantageview



ProtEX RTA

**WHY YOU SHOULD BUY**

- Display, Alarm
- No Extra Power Needed
- Easy 2-Wire Connection
- Flow Rate / Totalizers
- Hazardous Area

**PLASTIC PD6720**

**Enclosure** Plastic  
NEMA 4X / IP65  
Field-mount

**Approvals** None

**V Drop** 3.0 V  
6.0 V with backlight

**EXPLOSION-PROOF PD6820**

**Enclosure** Die-cast aluminum  
NEMA 4X / IP68  
Explosion-proof

**Approvals**

**V Drop** 3.0 V  
6.0 V with backlight

**THREE CONVENIENT DISPLAY MODES**



Flow Rate Indicator



Flow Totalizer



Rate & Total

**SPECIFICATIONS**

**Input** 4-20 mA

**Display** 5-digit upper display 0.7" (17.8 mm)  
7 alphanumeric character lower display 0.4" (10.2 mm)

**Power** Loop-powered

**Operating Temp** -40 to 75°C

**FEATURES**

- General purpose and explosion-proof versions
- 3.0 volt drop
- Wide operating temperature range
- Wide viewing angle
- Simplified wiring
- Display rate & total simultaneously
- Displays rate in second, minute, hour, or day
- Total, grand total, or non-resettable grand total
- 7-digit totalizer
- Open collector pulse or alarm output
- 32-point, square root, or exponential linearization
- Backlight standard
- Flanges for wall or pipe mounting
- Password protection
- SafeTouch through-window button programming
- Conformal coated PCBs for dust and humidity protection

**OPTIONS**

- Pipe mounting kits
- Stainless steel tags

## Loop-Powered 1/8 DIN Flow Rate / Totalizers



Loop Leader  
Series



Loop Leader  
Series



### PROGRAMMING SOFTWARE

MeterView XL USB-based programming software. Loop Leader powered from USB port during programming

### WHY YOU SHOULD BUY

Display, Control, Alarm, Re-Transmit

No Extra Power Needed

Easy 2-Wire Connection

Flow Rate / Totalizers

Batch Control

Hazardous Area

### DECIMAL DISPLAY

#### PD6622

**Approvals** CE  
**Operating Temp** -40 to 75°C

#### PD6626

**Approvals** Ex UL CE  
I.S. and N.I.  
**Operating Temp** -40 to 70°C

### DECIMAL + BARGRAPH DISPLAY

#### PD6624

**Approvals** CE  
**Operating Temp** -40 to 75°C

#### PD6628

**Approvals** Ex UL CE  
I.S. and N.I.  
**Operating Temp** -40 to 70°C

### SPECIFICATIONS

**Input** 4-20 mA  
**Display** 5-digit upper display 0.7" (17.8 mm)  
8 alphanumeric character lower display 0.4" (10.1 mm) with commas  
20-segment bargraph (PD6624 and PD6628)  
**Enclosure** NEMA 4X / IP65 front, 1/8 DIN, Shallow Depth  
**Power** Loop-powered  
**V Drop** 1.5 V, 4.5 V with backlight

### FEATURES

- General purpose, intrinsically safe and nonincendive versions
- 1.5 volt drop
- Wide operating temperature range
- NEMA 4X front panel
- Display rate & total simultaneously
- Displays rate in second, minute, hour, or day
- Intuitive total display with commas
- Alphanumeric tag names
- Total, grand total, or non-resettable grand total
- Up to 13-digit total & grand total
- 2 open collector outputs standard
- On-board digital input (for remote reset)
- Conformal coated PCBs for dust and humidity protection

### OPTIONS

- 2 solid state relays
- Isolated 4-20 mA analog output



### ALARM DISPLAY FEATURES

- Red backlight for alarms
- Programmable flashing display
- Custom alarm message
- Alarm indicator



# Flow Rate / Totalizers



**1/8 DIN PANEL METER  
PD6300**

<b>Display</b>	Dual-line 6-digit 0.60" (15 mm) 0.46" (12 mm) SunBright Option
<b>Enclosure</b>	NEMA 4X / IP65 front 1/8 DIN
<b>Approvals</b>	UL, CE
<b>Setup</b>	4 Front Panel Buttons MeterView Pro



**LARGE DISPLAY WALL MOUNT  
PD2-6300**

<b>Display</b>	Dual-line 6-digit 1.80" (46 mm) 1.80" (46 mm) SunBright
<b>Enclosure</b>	NEMA 4X / IP65 Wall Mount
<b>Approvals</b>	UL
<b>Setup</b>	4 Inside Panel Buttons MeterView Pro



**EXPLOSION-PROOF  
PD8-6300**

<b>Display</b>	Dual-line 6-digit 0.60" (15 mm) 0.46" (12 mm) SunBright
<b>Enclosure</b>	NEMA 4X, 7, 9 / IP68 Explosion-proof
<b>Approvals</b>	FM APPROVED, IECEx, CE
<b>Setup</b>	4 SafeTouch Buttons MeterView Pro



## PROGRAMMING SOFTWARE

On-board USB & MeterView Pro programming software

### WHY YOU SHOULD BUY

**Display, Control, Alarm, Re-Transmit**

**Powers the Flowmeter**

**Install Virtually Anywhere**

**Flow Rate & Total**

**Pulse to 4-20 mA Converter**

## SPECIFICATIONS

<b>Input</b>	Pulse, open collector, NPN, PNP, TTL, switch contact, sine wave (coil), square wave; Modbus PV (slave)
<b>Power</b>	85-265 VAC or 12-24 VDC option
<b>Operating Temp</b>	-40 to 65°C

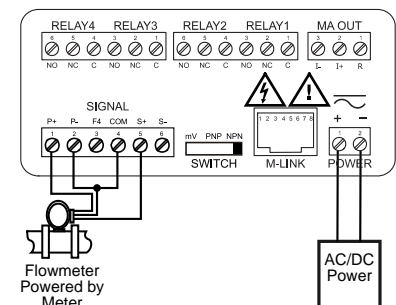
## FEATURES

- 1/8 DIN, wall mount, & explosion-proof
- 5, 10, or 24 V flowmeter power
- Display rate and total simultaneously
- Rate in second, minute, hour, or day
- Count up or down, total & grand total
- Gate function for display of slow pulses
- K-Factor, scaling, or external calibration
- Total, grand or non-resettable grand total
- Free PC-based USB programming SW
- Super bright display
- Wide variety of agency approvals
- Modbus RTU communication protocol
- On-board digital input (for remote reset)

## OPTIONS

- Isolated 4-20 mA output
- 2 or 4 form C internal relays
- RS-232 & RS-485 serial communications

## POWER THE FLOWMETER



- Power the flowmeter
- Simplify wiring
- Reduce costs

## Dual Input Flow Rate / Totalizers



**1/8 DIN PANEL METER**  
**PD6363**

<b>Display</b>	Dual-line 6-digit 0.60" (15 mm) 0.46" (12 mm) SunBright Option
<b>Enclosure</b>	NEMA 4X / IP65 front 1/8 DIN
<b>Approvals</b>	UL, CE
<b>Setup</b>	4 Front Panel Buttons MeterView Pro



**LARGE DISPLAY WALL MOUNT**  
**PD2-6363**

<b>Display</b>	Dual-line 6-digit 1.80" (46 mm) 1.80" (46 mm) SunBright
<b>Enclosure</b>	NEMA 4X / IP65 Wall Mount
<b>Approvals</b>	UL
<b>Setup</b>	4 Inside Panel Buttons MeterView Pro



**EXPLOSION-PROOF**  
**PD8-6363**

<b>Display</b>	Dual-line 6-digit 0.60" (15 mm) 0.46" (12 mm) SunBright
<b>Enclosure</b>	NEMA 4X, 7, 9 / IP68 Explosion-proof
<b>Approvals</b>	FM APPROVED, SIL, Ex, CE
<b>Setup</b>	4 SafeTouch Buttons MeterView Pro



### PROGRAMMING SOFTWARE

On-board USB & MeterView Pro programming software

#### WHY YOU SHOULD BUY

**Display, Control, Alarm, Re-Transmit**

**Powers the Flowmeters**

**Install Virtually Anywhere**

**Flow Rate & Total**

**Net Fuel Consumption**

**Two Inputs**

**Pulse to 4-20 mA Converter**

### SPECIFICATIONS

<b>Input</b>	Dual pulse, open collector, NPN, PNP, TTL, switch contact, sine wave (coil), square wave; Modbus PV (slave)
<b>Power</b>	85-265 VAC or 12-24 VDC option
<b>Operating Temp</b>	-40 to 65°C

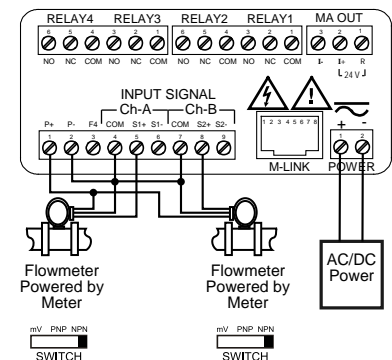
### FEATURES

- 1/8 DIN, wall mount, & explosion-proof
- Display two inputs simultaneously
- Display rate and total simultaneously
- Rate in second, minute, hour, or day
- Math functions capabilities
- Dual 5, 10, or 24 V flowmeter power
- Count up or down, total & grand total
- Gate function for display of slow pulses
- K-Factor, scaling, or external calibration
- Total, grand or non-resettable grand total
- Free PC-based USB programming SW
- Super bright display
- Modbus RTU communication protocol

### OPTIONS

- Isolated 4-20 mA output
- 2 or 4 form C internal relays
- RS-232 & RS-485 serial communications

### POWER THE FLOWMETERS



- Power two flowmeters
- Simplify wiring
- Reduce costs

## Field-Mount Flow Rate / Totalizers



 vantageview

### PLASTIC PD6730

<b>Enclosure</b>	Plastic NEMA 4X / IP65 Field-mount
<b>Approvals</b>	None



 ProtEX  
RTP

### EXPLOSION-PROOF PD6830

<b>Enclosure</b>	Die-cast aluminum NEMA 4X / IP68 Explosion-proof
<b>Approvals</b>	   



### PROGRAMMING SOFTWARE

USB-based MeterView EX programming software

### WHY YOU SHOULD BUY

Display, Alarm,  
Re-transmit

-40° C Operation

Battery, Loop, or DC  
Power

Flow Rate / Totalizers

Hazardous Area

### SPECIFICATIONS

<b>Input</b>	Pulse, open collector, NPN, PNP, TTL, switch contact, sine wave (coil), square wave, opto-isolated
<b>Display</b>	5-digit upper display 0.7" (17.8 mm) 7 alphanumeric character lower display 0.4" (10.2 mm)
<b>Power</b>	9-30 VDC, output-loop, or battery
<b>Operating Temp</b>	-40 to 75°C (-20 to 75°C battery)

### FEATURES

- General purpose and explosion-proof versions
- Battery, DC or 4-20 mA output loop power
- Wide viewing angle
- K-Factor, scaling, or live input calibration with 32-point linearization
- Wide operating temperature range
- Displays rate and total simultaneously
- Displays rate in second, minute, hour, or day
- 13-digit total with overflow display
- Mountable directly to flowmeter if desired
- Automatic rate, total, & grand total unit conversions
- Total, grand total, or non-resettable grand total
- Free PC-based USB programming software
- On-board data logging (1024 points)
- Two isolated open collector pulse outputs, up to 5 kHz
- SafeTouch through-window button programming

### OPTIONS

- Isolated 4-20 mA output for rate, total, or grand total
- Isolated or non-isolated RS-485 with Modbus communications
- Pipe mounting kits and stainless steel tags
- **PDA8068** USB serial adapter for PC programming only



Mountable directly  
to your flowmeter

## Multi-Channel Controllers



### PROGRAMMING SOFTWARE

Consolidator programming and monitoring software free download

### WHY YOU SHOULD BUY

Display, Control, Alarm, Re-Transmit

Four or Eight Inputs

Informative Display



PD981 mounted in PDA2901 NEMA 4X enclosure

### 4-CHANNEL CONTROLLER PD940

Mounting Wall

### PD941

Mounting Panel

### SPECIFICATIONS

<b>Input</b>	Analog: (4) 4-20 mA Pulse: (4) 100 mVp-p to 15 Vp-p, 1 Hz to 10 kHz
<b>Display</b>	6-digit, 4.75" x 3.50" (121 mm x 89 mm)
<b>Enclosure</b>	NEMA 1
<b>Power</b>	90-264 VAC or 8-30 VDC
<b>Operating Temp</b>	0 to 50°C

### FEATURES

- Convenient display of four inputs
- Numeric & bargraph display
- Sunlight readable display
- Four analog inputs
- Four pulse and four digital inputs
- Nine 10 Amp relays
- Four 4-20 mA outputs
- Process / rate & total display
- 32-point linearization
- RS-232 Modbus RTU
- Direct Modbus PV inputs

### OPTIONS

- **PDA2901** NEMA 4X enclosure
- **PDA2904** NEMA 4X enclosure
- **PDP2901** sub panel w/ terminal strips
- **PDP2904** sub panel w/ terminal strips

### 8-CHANNEL CONTROLLER PD980

Mounting Wall

### PD981

Mounting Panel

### SPECIFICATIONS

<b>Input</b>	Analog: (8) 4-20 mA Pulse: (4) 100 mVp-p to 15 Vp-p, 1 Hz to 10 kHz
<b>Display</b>	6-digit, 4.75" x 3.50" (121 mm x 89 mm)
<b>Enclosure</b>	NEMA 1
<b>Power</b>	90-264 VAC or 8-30 VDC
<b>Operating Temp</b>	0 to 50°C

### FEATURES

- Convenient display of eight inputs
- Numeric & bargraph display
- Sunlight readable display
- Eight analog inputs
- Four pulse and four digital inputs
- Nine 10 Amp relays
- Two 4-20 mA outputs
- Process / rate & total display
- 32-point linearization
- RS-232 Modbus RTU
- Direct Modbus PV inputs

### OPTIONS

- **PDA2901** NEMA 4X enclosure
- **PDA2904** NEMA 4X enclosure
- **PDP2901** sub panel w/ terminal strips
- **PDP2904** sub panel w/ terminal strips



# Batch Controllers



**1/8 DIN PANEL METER**  
**PD6310**

<b>Display</b>	Dual-line 6-digit 0.60" (15 mm) 0.46" (12 mm) SunBright Option
<b>Enclosure</b>	NEMA 4X / IP65 front 1/8 DIN
<b>Approvals</b>	UL, CE
<b>Setup</b>	4 Front Panel Buttons MeterView Pro



**LARGE DISPLAY WALL MOUNT**  
**PD2-6310**

<b>Display</b>	Dual-line 6-digit 1.80" (46 mm) 1.80" (46 mm) SunBright
<b>Enclosure</b>	NEMA 4X / IP65 Wall Mount
<b>Approvals</b>	UL
<b>Setup</b>	4 Inside Panel Buttons MeterView Pro



**EXPLOSION-PROOF**  
**PD8-6310**

<b>Display</b>	Dual-line 6-digit 0.60" (15 mm) 0.46" (12 mm) SunBright
<b>Enclosure</b>	NEMA 4X, 7, 9 / IP68 Explosion-proof
<b>Approvals</b>	FM APPROVED, SIL, Ex, CE
<b>Setup</b>	4 SafeTouch Buttons MeterView Pro



## PROGRAMMING SOFTWARE

On-board USB & MeterView Pro programming software

### WHY YOU SHOULD BUY

- Batch Control
- Automatic or Manual
- Powers the Flowmeter
- Install Virtually Anywhere

## SPECIFICATIONS

<b>Input</b>	Pulse, open collector, NPN, PNP, TTL, switch contact, sine wave (coil), square wave, Modbus PV (slave)
<b>Power</b>	85-265 VAC or 12-24 VDC option
<b>Operating Temp</b>	-40 to 65°C

## FEATURES

- 1/8 DIN, wall mount, and explosion-proof versions
- Dual-line 6-digit display
- 5, 10, or 24 VDC flowmeter power supply
- K-Factor, internal scaling, or external calibration
- Start, pause, & stop batch with front panel buttons or free software
- Display batch total + rate, grand total, batch count or preset
- Single or multi-stage batching with up to 8 relays
- Automatic overrun correction
- Manual control or automatic batching
- Count up or down with each batch
- Free PC-based USB programming software
- Modbus RTU communication protocol standard

## OPTIONS

- Isolated 4-20 mA output
- 2 or 4 form C internal relays
- RS-232 & RS-485 serial communications

# Weights & Measures Batch Controllers



**PROVU**  
SERIES



**ProtEX**  
MAX



## 1/8 DIN PANEL METER PD6310-WM

<b>Display</b>	Dual-line 6-digit 0.60" (15 mm) 0.46" (12 mm) SunBright Option
<b>Enclosure</b>	NEMA 4X / IP65 front 1/8 DIN
<b>Approvals</b>	UL, CE
<b>Setup</b>	4 Front Panel Buttons MeterView Pro

## EXPLOSION-PROOF PD8-6310-WM

<b>Display</b>	Dual-line 6-digit 0.60" (15 mm) 0.46" (12 mm) SunBright
<b>Enclosure</b>	NEMA 4X, 7, 9 / IP68 Explosion-proof
<b>Approvals</b>	FM APPROVED, SIL, Ex, CE, NIP
<b>Setup</b>	4 SafeTouch Buttons MeterView Pro



### PROGRAMMING SOFTWARE

On-board USB & MeterView Pro programming software

### WHY YOU SHOULD BUY

- Batch Control
- Automatic or Manual
- Powers the Flowmeter
- Install Virtually Anywhere
- NTEP Approved
- Custody Transfer

### SPECIFICATIONS

<b>Input</b>	Pulse, open collector, NPN, PNP, TTL, switch contact, sine wave (coil), square wave, Modbus PV (slave)
<b>Power</b>	85-265 VAC or 12-24 VDC option
<b>Operating Temp</b>	-40 to 65°C

### FEATURES

- 1/8 DIN and explosion-proof versions
- Dual-line 6-digit display
- 5, 10, or 24 VDC flowmeter power supply
- NTEP Certified weighing and measuring device
- K-Factor, internal scaling, or external calibration
- Mechanical programming lockout
- Start, pause, & stop batch with front panel buttons or free software
- Display batch total + rate, grand total, batch count or preset
- Count up or down with each batch
- Automatic overrun correction
- Single or multi-stage batching with up to 8 relays
- Free PC-based USB programming software

### OPTIONS

- Isolated 4-20 mA output
- 2 or 4 form C internal relays
- RS-232 & RS-485 serial communications

# Temperature Meters



## 1/8 DIN PANEL METER PD7000

<b>Display</b>	Dual-line 6-digit 0.60" (15 mm) 0.46" (12 mm) SunBright Option
<b>Enclosure</b>	NEMA 4X / IP65 front 1/8 DIN
<b>Approvals</b>	UL, CE
<b>Setup</b>	4 Front Panel Buttons MeterView Pro



## LARGE DISPLAY WALL MOUNT PD2-7000

<b>Display</b>	Dual-line 6-digit 1.80" (46 mm) 1.80" (46 mm) SunBright
<b>Enclosure</b>	NEMA 4X / IP65 Wall Mount
<b>Approvals</b>	UL
<b>Setup</b>	4 Inside Panel Buttons MeterView Pro



## EXPLOSION-PROOF PD8-7000

<b>Display</b>	Dual-line 6-digit 0.60" (15 mm) 0.46" (12 mm) SunBright
<b>Enclosure</b>	NEMA 4X, 7, 9 / IP68 Explosion-proof
<b>Approvals</b>	FM APPROVED, SIL, Ex, CE
<b>Setup</b>	4 SafeTouch Buttons MeterView Pro



## PROGRAMMING SOFTWARE

On-board USB & MeterView Pro programming software

### WHY YOU SHOULD BUY

**Display, Control, Alarm, Re-Transmit**

**Install Virtually Anywhere**

**Display Above 2000°**

**Field Selectable TC or RTD Inputs**

**Temperature Transmitter with Big Display**

## SPECIFICATIONS

<b>Input</b>	Thermocouple J, K, T, E, R, S, B, N, C; RTD 100 Ω Pt, 10 Ω Cu, 120 Ω Ni, 1,000 Ω Pt; Modbus PV (slave)
<b>Power</b>	85-265 VAC or 12-24 VDC option
<b>Operating Temp</b>	-40 to 65°C

## FEATURES

- 1/8 DIN, wall mount, and explosion-proof versions
- Dual-line 6-digit display
- Field selectable T/C & RTD inputs
- 1° or 0.1° resolution
- Display above 2000° using four digits
- Averages up to 10 RTD sensors
- Automatic cold junction compensation
- Free PC-based USB programming software
- Super bright display
- Wide variety of agency approvals
- Modbus RTU communication protocol standard

## OPTIONS

- Isolated 4-20 mA output
- 2 or 4 form C internal relays
- RS-232 & RS-485 serial communications

## Temperature & Process Meters



Trident Virtual Meter  
[tvm.predig.com](http://tvm.predig.com)



**TRIDENT**

### 1/8 DIN PANEL METER PD765

<b>Display</b>	4-digit 0.56" (14.2 mm)
<b>Enclosure</b>	NEMA 4X / IP65 front 1/8 DIN
<b>Approvals</b>	UL, CE
<b>Setup</b>	4 Front Panel Buttons MeterView Copy Feature



**TRIDENT X2**

### 1/8 DIN PANEL METER PD765 X2

<b>Display</b>	4-digit 1.20" (30.5 mm)
<b>Enclosure</b>	NEMA 4X / IP65 front 1/8 DIN
<b>Approvals</b>	UL, CE
<b>Setup</b>	4 Front Panel Buttons MeterView Copy Feature



**ProtEX**  
 MAX

### EXPLOSION-PROOF PD8-765

<b>Display</b>	4-digit 1.20" (30.5 mm)
<b>Enclosure</b>	NEMA 4X, 7, 9 / IP68 Explosion-Proof
<b>Approvals</b>	FM, SP, CE
<b>Setup</b>	4 SafeTouch Buttons MeterView Copy Feature



### PROGRAMMING SOFTWARE

MeterView programming and monitoring software free download

#### WHY YOU SHOULD BUY

Display, Control, Alarm, Re-Transmit

Powers the Transmitter

Display K TC Above 2000°

Install Virtually Anywhere

Process & Temperature Inputs

Most Popular Products

Temperature Transmitter with Big Display

### SPECIFICATIONS

<b>Input</b>	Process: 0-20 mA, 4-20 mA; $\pm 10$ VDC (0-5, 1-5, 0-10 V) Temperature: Thermocouple J, K, T, E; RTD 100 $\Omega$ Pt
<b>Power</b>	85-265 VAC or 12-36 VDC option
<b>Operating Temp</b>	-40 to 65°C

### FEATURES

- 1/8 DIN and explosion-proof versions
- Standard & supersized display options
- Sunlight readable display
- Isolated 24 VDC transmitter power supply option
- Field selectable process and temperature inputs
- 1° or 0.1° resolution with RTD & type T thermocouple
- Free PC-based programming and monitoring software
- Wide variety of agency approvals
- Maximum / minimum display
- Linear or square root with low-flow cutoff
- Modbus RTU

### OPTIONS

- 2 relays and 4-20 mA analog output
- 24 VDC transmitter power supply
- Dual 24 VDC transmitter power supplies
- USB, RS-232, & RS-485 serial communications



## Low-Cost Temperature Meter



*Sabre Series*

### WHY YOU SHOULD BUY

- Display Only
- TC or RTD Input
- Cost Effective
- OEM / Large Quantities
- Simple

### PD743 SPECIFICATIONS

- Input** Thermocouple J, K, T, E; RTD 100 Ω platinum
- Display** 4-digit  
0.56" (14.2 mm)
- Enclosure** NEMA 4X / IP65 front  
1/8 DIN
- Approvals**
- Power** 85-265 VAC or  
12-36 VDC option
- Operating Temp** 0 to 65°C

### FEATURES

- NEMA 4X front panel
- UL Listed
- Shallow depth enclosure
- 1° or 0.1° resolution with RTD
- Maximum / minimum display
- Pre-calibrated for all input types

### MINIMUM ORDER

- 5 units

## PID & Limit Controllers



**NOVA Virtual Meter**  
[novavirtualmeter.com](http://novavirtualmeter.com)



### PROGRAMMING SOFTWARE

Nova Multi-Monitoring programming software free download

### WHY YOU SHOULD BUY

- PID Control
- Auto-Tuning
- Limit Control
- Variety of Enclosure Sizes

### PD540 & PD570 SPECIFICATIONS

- Input** Thermocouple  
RTD  
Current (with resistor)  
Voltage
- Display** Dual, 4-digit
- Enclosure** 1/16, 3/16, 1/8, 1/4 DIN
- Approvals**
- Power** 100-240 VAC
- Operating Temp** 10 to 50°C

### PD540 FEATURES

- High accuracy auto-tuning PID
- Heating & cooling models
- Up to 3 relays & 2 analog outputs
- Digital input set point selection
- RS-485 serial communications

### PD570 FEATURES

- Latching limit relay

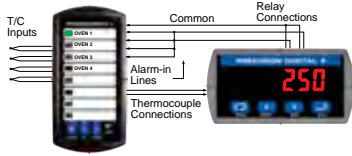
### OPTIONS

- Digital inputs (PD540 series)
- Heating and cooling (PD540 series)
- RS-485 serial communications



**NOVA**

## 8-Channel Temperature & Process Scanner



### AUTOMATIC SWITCH

PD138 automatically switching three T/Cs to a PD765 where they are checked for an alarm condition.

#### WHY YOU SHOULD BUY

Scan  
8 Channels  
Reed Relay Switching  
Alarm Indication

### PD138 SPECIFICATIONS

<b>Input</b>	TC, RTD, Process, AC, DC
<b>Display</b>	Eight LED indicators
<b>Enclosure</b>	NEMA 4X / IP65 front 1/8 DIN
<b>Power</b>	115 VAC, 230 VAC, or 12-24 VDC
<b>Operating Temp</b>	-40 to 65°C

### FEATURES

- 8 inputs per unit
- Unlimited number of units per system
- Adjustable dwell time for each channel
- Independent alarm input for each channel
- First-out alarm indication
- Free custom message labels
- Built-in 70 dB horn

### OPTIONS

- Current loop resistor



MINIMUX II

## Temperature Scanning Systems



#### WHY YOU SHOULD BUY

Display, Scan, Alarm  
8 Channels  
Reed Relay Switching  
Temperature Indication  
Alarm Indication

### PDS178 SPECIFICATIONS

<b>Input</b>	J, K, E, T thermocouples, 100 Ω platinum RTD
<b>Display</b>	4-digit and 8 LED indicators
<b>Enclosure</b>	NEMA 4X / IP65 front 1/8 DIN
<b>Power</b>	115 VAC
<b>Operating Temp</b>	-40 to 65°C

### FEATURES

- 8-channel temperature scanner
- Temperature indicator with 2 relays
- NEMA 4X plastic enclosure
- 8 inputs per unit
- Built-in 70 dB horn
- First-out indication
- Sunlight readable indication
- Free custom message labels

### OPTIONS

- PDS178: 0.56" (14.2 mm) display
- PDS178X2: 1.2" (30.5 mm) display

# Field-Mount Modbus Scanners



## PROGRAMMING SOFTWARE

ScanView EX programming software

### WHY YOU SHOULD BUY

- Display, Alarm, Re-Transmit
- Scan 16 Modbus Variables
- Master, Slave, Packet Sniffer
- Hazardous Area



## PLASTIC PD6730X

**Enclosure** Plastic  
NEMA 4X / IP65  
Field-mount

**Approvals** None



## EXPLOSION-PROOF PD6830X

**Enclosure** Die-cast aluminum  
NEMA 4X / IP68  
Explosion-proof

**Approvals** FM APPROVED NEMA CE

## SPECIFICATIONS

**Input** Modbus RTU  
Pulse (decimal display model)

**Display** 5-digit upper display 0.7" (17.8 mm)  
7 alphanumeric character lower display 0.4" (10.2 mm)  
0.6" (15.24 mm) upper display (feet & inches model)  
20-segment bargraph (feet & inches model)

**Power** 9-30 VDC

**Operating Temp** -40 to 75°C

## FEATURES

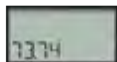
- General purpose and explosion-proof versions
- Modbus RS-485 RTU serial communications as master, slave, or packet sniffer
- Poll and display up to 16 Modbus process variables
- Wide viewing angle
- Automatic or manual scanning
- Stop or go scan on alarm
- Alphanumeric tag names
- Independent scaling, tag, and unit for each PV
- Feet & inches display ideal for level applications (feet & inches model)
- Math functions capabilities
- 20-segment tank level bargraph (feet & inches model)
- Backlight standard
- SafeTouch through-window button programming
- Two open collector alarm outputs

## OPTIONS

- Feet & inches display
- Isolated 4-20 mA output
- Pipe mounting kits
- **PDA8068** USB serial adapter for PC programming only



Display Showing Interface Level in Feet & Inches



Display Showing Average Temperature in Degrees Fahrenheit



Local Display with PD6830X Master Displaying Level in Feet & Inches

Modbus RS-485



Tanks with Multivariable Level Transmitters

**Master mode: four tanks: level, interface, temperature**

# Modbus Scanners



**PROVU**  
SERIES

### 1/8 DIN PANEL METER PD6088

<b>Display</b>	Dual-line 6-digit 0.60" (15 mm) 0.46" (12 mm) SunBright Decimal
<b>Enclosure</b>	NEMA 4X / IP65 front 1/8 DIN
<b>Approvals</b>	UL, CE
<b>Setup</b>	4 Front Panel Buttons MeterView Pro



**PROVU**  
SERIES

### 1/8 DIN PANEL METER PD6089

<b>Display</b>	Dual-line 6-digit 0.60" (15 mm) 0.46" (12 mm) SunBright Feet & Inches
<b>Enclosure</b>	NEMA 4X / IP65 front 1/8 DIN
<b>Approvals</b>	UL, CE
<b>Setup</b>	4 Front Panel Buttons MeterView Pro



## PROGRAMMING SOFTWARE

On-board USB & ScanView programming software

## WHY YOU SHOULD BUY

Display, Control, Alarm, Re-Transmit

Install in Panel or Enclosure

Scan 16 Modbus Variables

Master, Slave, Packet Sniffer

## SPECIFICATIONS

<b>Input</b>	Modbus RTU
<b>Power</b>	85-265 VAC or 12-24 VDC option
<b>Operating Temp</b>	-40 to 65°C

## FEATURES

- 1/8 DIN digital panel meter
- Dual-line 6-digit display
- Modbus RS-485 RTU serial communications as master, slave, or packet sniffer
- Poll and display up to 16 Modbus process variables
- Automatic or manual scanning
- Stop or go scan on alarm
- Independent scaling, tag, and unit for each PV
- Math functions capabilities
- Feet & inches display ideal for level applications (PD6089)
- Programmable display & function keys
- 4-20 mA analog output option (up to three)
- 2 or 4 relays + isolated 4-20 mA output options
- On-board RS-485 communications provided

## OPTIONS

- Isolated 4-20 mA outputs (1 on-board, 2 external module)
- 2 or 4 form C internal relays

## Modbus Scanners with Dual Analog Input



**1/8 DIN PANEL METER**  
**PD6080**

<b>Display</b>	Dual-line 6-digit 0.60" (15 mm) 0.46" (12 mm) SunBright
<b>Enclosure</b>	NEMA 4X / IP65 front 1/8 DIN
<b>Approvals</b>	UL, CE
<b>Setup</b>	4 Front Panel Buttons MeterView Pro



**LARGE DISPLAY WALL MOUNT**  
**PD2-6080**

<b>Display</b>	Dual-line 6-digit 1.80" (46 mm) 1.80" (46 mm) SunBright
<b>Enclosure</b>	NEMA 4X / IP65 Wall Mount
<b>Approvals</b>	UL
<b>Setup</b>	4 Inside Panel Buttons MeterView Pro



**EXPLOSION-PROOF**  
**PD8-6080**

<b>Display</b>	Dual-line 6-digit 0.60" (15 mm) 0.46" (12 mm) SunBright
<b>Enclosure</b>	NEMA 4X, 7, 9 / IP68 Explosion-proof
<b>Approvals</b>	FM APPROVED, SIL, Ex, CE
<b>Setup</b>	4 SafeTouch Buttons MeterView Pro



### PROGRAMMING SOFTWARE

On-board USB & ScanView programming software

#### WHY YOU SHOULD BUY

**Display, Control, Alarm, Re-Transmit**

**Install Virtually Anywhere**

**Scan 16 Modbus Variables**

**Two Analog Inputs**

**Master, Slave, Packet Sniffer**

### SPECIFICATIONS

<b>Input</b>	Modbus RTU; Dual 0-20 mA, 4-20 mA; $\pm 10$ VDC (0-5, 1-5, 0-10 V)
<b>Power</b>	85-265 VAC or 12-24 VDC option
<b>Operating Temp</b>	-40 to 65°C

### FEATURES

- 1/8 DIN, wall mount, and explosion-proof versions
- Dual-line 6-digit display
- Modbus RS-485 RTU serial communications as master, slave, or packet sniffer
- Poll and display up to 16 Modbus process variables
- Two analog inputs
- Automatic or manual scanning
- Stop or go scan on alarm
- Independent scaling, tag, and unit for each PV
- Math functions capabilities
- Programmable display & function keys
- Free PC-based USB programming software
- On-board RS-485 communications, module provided for PD6080

### OPTIONS

- Isolated 4-20 mA output
- 2 or 4 form C internal relays



## Feet & Inches Modbus Scanners with Dual Analog Input



**1/8 DIN PANEL METER**  
**PD6081**

<b>Display</b>	Dual-line 6-digit 0.60" (15 mm) 0.46" (12 mm) SunBright
<b>Enclosure</b>	NEMA 4X / IP65 front 1/8 DIN
<b>Approvals</b>	UL, CE
<b>Setup</b>	4 Front Panel Buttons MeterView Pro



**LARGE DISPLAY WALL MOUNT**  
**PD2-6081**

<b>Display</b>	Dual-line 6-digit 1.80" (46 mm) 1.80" (46 mm) SunBright
<b>Enclosure</b>	NEMA 4X / IP65 Wall Mount
<b>Approvals</b>	UL
<b>Setup</b>	4 Inside Panel Buttons MeterView Pro



**EXPLOSION-PROOF**  
**PD8-6081**

<b>Display</b>	Dual-line 6-digit 0.60" (15 mm) 0.46" (12 mm) SunBright
<b>Enclosure</b>	NEMA 4X, 7, 9 / IP68 Explosion-proof
<b>Approvals</b>	FM APPROVED, SIL, Ex, CE
<b>Setup</b>	4 SafeTouch Buttons MeterView Pro



### PROGRAMMING SOFTWARE

On-board USB & ScanView programming software

#### WHY YOU SHOULD BUY

**Display, Control, Alarm, Re-Transmit**

**Install Virtually Anywhere**

**Scan 16 Modbus Variables**

**Two Analog Inputs**

**Master, Slave, Packet Sniffer**

**Feet & Inches**

### SPECIFICATIONS

<b>Input</b>	Modbus RTU; Dual 0-20 mA, 4-20 mA; ±10 VDC (0-5, 1-5, 0-10 V)
<b>Power</b>	85-265 VAC or 12-24 VDC option
<b>Operating Temp</b>	-40 to 65°C

### FEATURES

- 1/8 DIN, wall mount, and explosion-proof versions
- Dual-line 6-digit display
- Modbus RS-485 RTU serial communications as master, slave, or packet sniffer
- Poll and display up to 16 Modbus process variables
- Feet & inches display ideal for level applications
- Two analog inputs
- Automatic or manual scanning
- Stop or go scan on alarm
- Independent scaling, tag, and unit for each PV
- Math functions capabilities
- Programmable display & function keys
- 32-point & round horizontal tank linearization
- On-board RS-485 communications, module provided for PD6081

### OPTIONS

- Isolated 4-20 mA output
- 2 or 4 form C internal relays

## Strain Gauge Meters



**PROVU**  
SERIES

### 1/8 DIN PANEL METER PD6100

<b>Display</b>	Dual-line 6-digit 0.60" (15 mm) 0.46" (12 mm) SunBright Option
<b>Enclosure</b>	NEMA 4X / IP65 front 1/8 DIN
<b>Approvals</b>	UL, CE
<b>Setup</b>	4 Front Panel Buttons MeterView Pro



**HELIOS**

### LARGE DISPLAY WALL MOUNT PD2-6100

<b>Display</b>	Dual-line 6-digit 1.80" (46 mm) 1.80" (46 mm) SunBright
<b>Enclosure</b>	NEMA 4X / IP65 Wall Mount
<b>Approvals</b>	UL
<b>Setup</b>	4 Inside Panel Buttons MeterView Pro



**ProtEX**  
MAX

### EXPLOSION-PROOF PD8-6100

<b>Display</b>	Dual-line 6-digit 0.60" (15 mm) 0.46" (12 mm) SunBright
<b>Enclosure</b>	NEMA 4X, 7, 9 / IP68 Explosion-proof
<b>Approvals</b>	FM APPROVED, SIL, Ex, CE
<b>Setup</b>	4 SafeTouch Buttons MeterView Pro



### PROGRAMMING SOFTWARE

On-board USB & MeterView Pro programming software

#### WHY YOU SHOULD BUY

**Display, Control, Alarm, Re-Transmit**

**Powers the Sensor**

**Install Just About Anywhere**

**Shunt Calibration Check**

**Weight Indication**

### SPECIFICATIONS

<b>Input</b>	15, 30, 150, 300 mV unipolar; $\pm 15$ , $\pm 25$ , $\pm 150$ , $\pm 250$ mV bipolar; Modbus PV (slave)
<b>Power</b>	85-265 VAC or 12-24 VDC option
<b>Operating Temp</b>	-40 to 65°C

### FEATURES

- 1/8 DIN, wall mount, and explosion-proof versions
- Dual-line 6-digit display
- 5 or 10 VDC sensor excitation
- Averages up to twelve 350  $\Omega$  load cells (PROVU and Helios only)
- Capture or programmable tare feature
- Auto-zero feature eliminates zero drift
- Ratiometric operation
- Max/min or peak/valley hold feature
- Rounding to 1, 2, 5, 10, 20, 50, or 100
- Free PC-based USB programming software
- Super bright display
- Modbus RTU communication protocol standard

### OPTIONS

- Isolated 4-20 mA output
- 2 or 4 form C internal relays
- RS-232 & RS-485 serial communications

## High Voltage & High Current Meters



**PROVU**  
SERIES

### 1/8 DIN PANEL METER PD6400

<b>Display</b>	Dual-line 6-digit 0.60" (15 mm) 0.46" (12 mm) SunBright Option
<b>Enclosure</b>	NEMA 4X / IP65 front 1/8 DIN
<b>Approvals</b>	UL, CE
<b>Setup</b>	4 Front Panel Buttons MeterView Pro



### PROGRAMMING SOFTWARE

On-board USB & MeterView Pro programming software

### WHY YOU SHOULD BUY

**Display, Control, Alarm,  
Re-Transmit**

**High Voltage or Current**

**Apparent Power**



**HELIOS**

### LARGE DISPLAY WALL MOUNT PD2-6400

<b>Display</b>	Dual-line 6-digit 1.80" (46 mm) 1.80" (46 mm) SunBright
<b>Enclosure</b>	NEMA 4X / IP65 Wall Mount
<b>Approvals</b>	UL
<b>Setup</b>	4 Inside Panel Buttons MeterView Pro

### SPECIFICATIONS

<b>Input</b>	0-300 VDC or VAC 0-5 AAC or ADC; Modbus PV (Slave)
<b>Power</b>	85-265 VAC or 12-24 VDC option
<b>Operating Temp</b>	-40 to 65°C

### FEATURES

- 1/8 DIN and wall mount versions
- Dual-line 6-digit display
- (1) high voltage & (1) high current Input
- Displays voltage and current simultaneously
- Multiplication for apparent power calculation
- Free PC-based programming software
- Super bright display

### OPTIONS

- Isolated 4-20 mA output
- 2 or 4 form C internal relays
- RS-232 & RS-485 serial communications



### PANEL METER PD644

<b>Display</b>	4-digit 0.56" (14.2 mm) Sunlight readable
<b>Enclosure</b>	NEMA 4X / IP65 front 1/8 DIN
<b>Approvals</b>	UL
<b>Setup</b>	4 Front Panel Buttons

### PD644 SPECIFICATIONS

<b>Input</b>	0-300 VDC
<b>Power</b>	85-265 VAC or 12-36 VDC option
<b>Operating Temp</b>	0 to 65°C

### PD644 FEATURES

- 1/8 DIN panel meter
- NEMA 4X front panel
- 4-20 mA output standard
- Shallow depth enclosure
- Maximum / minimum display
- RS-485 serial communications
- Modbus RTU

### PD644 OPTIONS

- 2 form C relays
- 24 VDC transmitter supply

# Alarm Annunciators



Vigilante II



ProtEX MAX

**WHY YOU SHOULD BUY**

- Alarm
- 4 or 8 Inputs
- Alarm Indication
- Install Virtually Anywhere



**PDA1500**  
**HIGH VOLTAGE AC/DC TO LOGIC LEVEL CONVERTER**

For use with PD154 and PD158 annunciators. It converts high voltage signals into logic level signals for use as a digital input to a wide range of process control and display equipment.

See [page 43](#) for details.

**1/8 DIN PANEL METER**  
**PD154**

**Points** 4  
**Display** 4 LEDs  
**Enclosure** NEMA 4X / IP65 front 1/8 DIN  
**Approvals** UL, CE  
**Setup** 3 Front Panel Buttons  
 DIP Switch

**PD158**

**Points** 8  
**Display** 8 LEDs  
**Enclosure** NEMA 4X / IP65 front 1/8 DIN  
**Approvals** UL, CE  
**Setup** 3 Front Panel Buttons  
 DIP Switch

**EXPLOSION-PROOF**  
**PD8-154**

**Points** 4  
**Display** 4 LEDs  
**Enclosure** NEMA 4X, 7, 9 / IP68 Explosion-proof  
**Approvals** FM, SIL, Ex, CE  
**Setup** 3 Front Panel Buttons  
 DIP Switch

**PD8-158**

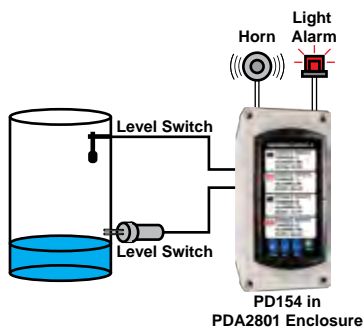
**Points** 8  
**Display** 8 LEDs  
**Enclosure** NEMA 4X, 7, 9 / IP68 Explosion-proof  
**Approvals** FM, SIL, Ex, CE  
**Setup** 3 Front Panel Buttons  
 DIP Switch

**SPECIFICATIONS**

**Input** Switch, transistor, logic level  
**Power** 85-265 VAC or 12-36 VDC  
**Operating Temp** -40 to 65°C

**FEATURES**

- 1/8 DIN and explosion-proof versions
- 4 or 8-point monitoring
- All common ISA sequences
- Free custom message labels
- Built-in horn: 70 dB for PD154 / PD158, 50 dB for PD8-154 / PD8-158
- Silence, acknowledgment, and reset functions
- 2 SPDT relays for alarm activated devices
- Multiple-unit first-out indication
- Sunlight readable indication



**Level Monitoring with Level Switches**

## Accessories

### PROVU ACCESSORIES



Required Cable Included

### EXPANSION MODULES

**PDA1004:** 4-relay module

**PDA1011\*:** Dual 4-20 mA output module

**PDA1044:** 4 digital I/O module

\* For use with PD2-6060, PD2-6080, PD2-6081, PD2-6088, PD2-6089, PD2-6262, PD2-6363, PD2-6400 PD6060, PD6080, PD6081, PD6088, PD6089, PD6262, PD6363, and PD6400 only.

### SERIAL ADAPTERS

**PDA1232:** RS-232 serial adapter

**PDA1485:** RS-485 serial adapter

### ADDITIONAL ACCESSORIES

**PDA1002:** DIN-rail mounting kit

### TRIDENT ACCESSORIES



Required Cable Included

### SERIAL ADAPTERS

**PDA7232:** RS-232 serial adapter

**PDA7422:** RS-485 serial adapter

**PDA8006:** USB serial adapter

### ADDITIONAL ACCESSORIES

**PDA7420:** Meter copy cable

### SERIAL CONVERTERS



Required Cable Included

### RS-232 TO RS-485

**PDA7485-I:** converter, isolated

**PDA7485-N:** converter, non-isolated

### USB TO RS-232

**PDA8232-N:** converter, non-isolated

### USB TO RS-485

**PDA8485-I:** converter, isolated

**PDA8485-N:** converter, non-isolated

### TAGS



### STAINLESS STEEL

**PDA-SSTAG:** Stainless Steel Tag

Order at [www.predig.com/pda-sstag](http://www.predig.com/pda-sstag)

### HELIOS ACCESSORIES



### PLUGS

**PDAPLUG2:** Plastic Conduit Plug

### MOUNTING KIT

**PDA6260:** Pipe Mounting Kit Zinc Plated Steel

### PDA1500 HIGH VAC/VDC TO LOGIC LEVEL CONVERTER



### SPECIFICATIONS

<b>Modes</b>	Straight conversion or series break
<b>Mounting</b>	DIN Rail
<b>Channels</b>	4
<b>Inputs</b>	85-130 or 185-265 VAC/VDC
<b>Outputs</b>	TTL compatible logic (+5 V)
<b>Power</b>	12-24 VDC

### FEATURES

- Combine with the Vigilante II annunciator to monitor high voltages
- Four high voltage inputs - up to 265 VAC or VDC
- Four 5 VDC digital outputs
- Easy DIN rail mounting
- Simple two-button setup
- Cascade mode for series break configurations
- Multi-unit cascade mode

### PDA8068 ADAPTER



### USE WITH METERVIEW EX & SCANVIEW EX

**PDA8068:** USB serial adapter for PD6730, PD6730X, PD6830, & PD6830X (Required cable included)

Note: Used for configuration only





## Enclosures with Cutouts

### PDA2300 ECONOMICAL PLASTIC NEMA 4X ENCLOSURES



#### SPECIFICATIONS

**Material** Thermoplastic polyester  
**Color** Gray  
**Ratings** NEMA 4X, UL, C-UL

#### FEATURES

- House up to 10 meters
- Horizontal or vertical cutouts
- Hinged door
- Stainless steel cover latches

### PDA2500 RUGGED PLASTIC NEMA 4X ENCLOSURES



#### SPECIFICATIONS

**Material** Thermoplastic polyester  
**Color** Gray  
**Ratings** NEMA 4X, UL, C-UL

#### FEATURES

- House up to 10 meters
- Horizontal or vertical cutouts
- NEMA 1, 3, 3S, 4, 4X, and 12
- Hinged door

### PDA2600 STAINLESS STEEL NEMA 4X ENCLOSURES



#### SPECIFICATIONS

**Material** PDA2601: 16-gauge, type 304 SS. PDA2602-2606: 14-gauge, type 304 SS  
**Color** Stainless steel  
**Ratings** UL 50 type 4; NEMA 4; CSA type 4; IP66

#### FEATURES

- House up to 6 meters
- Horizontal or vertical cutouts
- 16-gauge, type 304 stainless steel
- 14-gauge, type 304 stainless steel
- NEMA 4, 4X, 12, and 13
- Hinged door

### PDA2700 STEEL NEMA 4 ENCLOSURES



#### SPECIFICATIONS

**Material** PDA2701: 16-gauge steel. PDA2702-2706: 14-gauge steel  
**Color** Painted steel  
**Ratings** UL 50 type 4; NEMA 4; CSA type 4; IP66

#### FEATURES

- House up to 6 meters
- Horizontal or vertical cutouts
- 16-gauge, Type 304 steel
- 14-gauge, Type 304 steel
- NEMA 4, 12, and 13
- Hinged door



Enclosure selection tool  
[www.predig.com/esu](http://www.predig.com/esu)

## Enclosures with Cutouts

### PDA2800 LOW-COST PLASTIC NEMA 4X ENCLOSURES



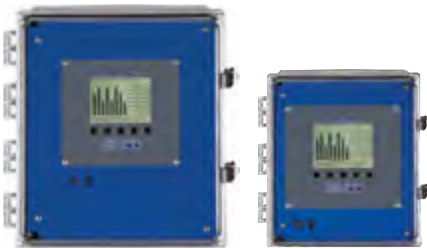
#### SPECIFICATIONS

**Material** Thermoplastic polyester  
**Color** Gray  
**Ratings** NEMA 4X

#### FEATURES

- House up to 2 meters
- 1/2" conduit hole on PDA2801 and PDA2811

### PDA2900 PLASTIC NEMA 4X ENCLOSURES FOR CONSOLIDATOR SERIES



#### SPECIFICATIONS

**Material** Enclosure & cover: polycarbonate  
 Front panel: painted aluminum  
 Cover latches: stainless steel  
**Color** Enclosure: light gray  
 Cover: transparent  
 Front panel: blue  
**Ratings** Type 1, 2, 3, 3R, 4, 4X, 12, & 12K. UL & C-UL listed enclosure

#### FEATURES

- House 1 PD941 or PD981
- Hinged clear cover
- Hinged front mounting panel
- Fuse holder and power switch

#### ACCESSORIES

- Sub-panels
- Pipe mounting kit

### PDA3400 PLASTIC NEMA 4X ENCLOSURES



#### SPECIFICATIONS

**Material** Thermoplastic with clear polycarbonate cover  
**Color** Enclosure: light gray; Cover: transparent  
**Ratings** UL (USA & Canada), NEMA 4X

#### FEATURES

- Meter mounted inside cover
- Mounting brackets
- One to three meters
- NEMA 4X
- UL Listed

## Free Software



### METERVIEW XL DOWNLOAD

<b>For</b>	PD6600 and PD6620 series
<b>System</b>	Windows 7 & 10
<b>Comm.</b>	USB

#### FEATURES

- Easy programming
- USB connection provides power
- Save & print configuration files without meter connected

#### REQUIRED CABLE

- Micro USB cable provided



### METERVIEW EX DOWNLOAD

<b>For</b>	PD6730 PD6830
<b>System</b>	Windows XP, Vista, 7, 8, 10
<b>Comm.</b>	USB RS-485

#### FEATURES

- Configure the meter
- Monitor present trends
- Log to as large of a file as needed

#### REQUIRED ADAPTER

- **PDA8068** USB serial adapter for programming only



### METERVIEW PRO ON-BOARD

<b>For</b>	PROVu, Helios, and ProtEX-MAX
<b>System</b>	Windows XP, Vista, 7, 8, 10
<b>Comm.</b>	USB RS-232 or RS-485

#### FEATURES

- Configure the meter
- Monitor present trends
- Log to as large of a file as needed
- Software on meter, not downloaded

#### REQUIRED ADAPTER

- USB cable included with meter



### METERVIEW DOWNLOAD

<b>For</b>	PD765 PD8-765
<b>System</b>	Windows XP, Vista, 7, 8, 10
<b>Comm.</b>	USB RS-232 or RS-485

#### FEATURES

- Monitor up to 100 meters
- Program or read meter settings
- Save meter profiles for cloning
- Use profiles for reporting

#### REQUIRED ADAPTER

- **PDA8006** Trident USB serial adapter for programming only



### SCANVIEW EX DOWNLOAD

<b>For</b>	PD6730X PD6830X
<b>System</b>	Windows 2000, XP, Vista, 7, 8, 10
<b>Comm.</b>	USB RS-232 or RS-485

#### FEATURES

- Manage scanner settings
- Download data logs
- Set up K-factor, scaling, tag, units & more

#### REQUIRED ADAPTER

- **PDA8068** USB serial adapter for programming only



### SCANVIEW ON-BOARD

<b>For</b>	PROVu, Helios, and ProtEX-MAX scanners
<b>System</b>	Windows 2000, XP, Vista, 7, 8, 10
<b>Comm.</b>	USB RS-232 or RS-485

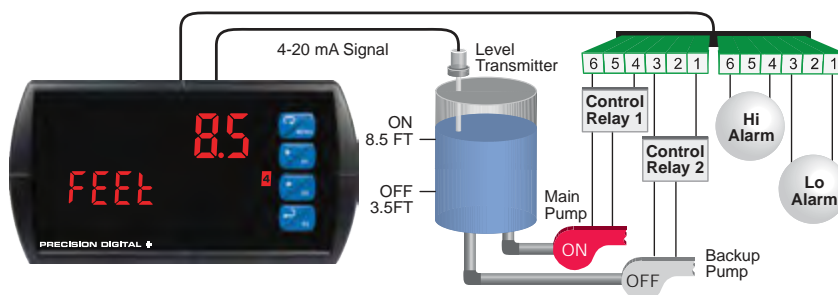
#### FEATURES

- Use in Modbus master, slave, or snoop mode
- Scan up to 16 Modbus PVs
- Easily configure Modbus Scanners
- Data log all PVs to a PC
- Software on scanner, not downloaded

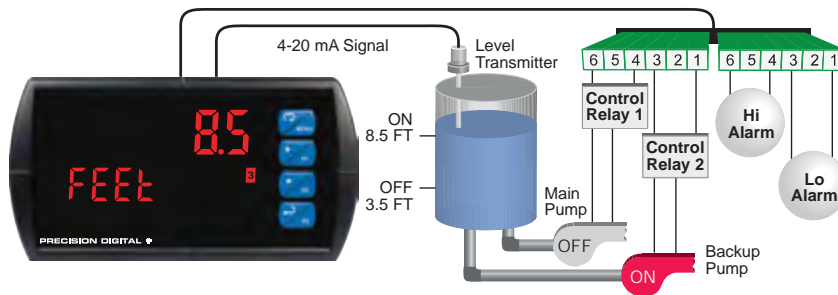
#### REQUIRED ADAPTER

- Free USB cable included with meter for programming only

# Using Precision Digital Meters for Pump Control Applications



Relay #4 turns the main pump on at 8.5 feet and turns it off at 3.5 feet.



With the Pump Alternation feature activated, the next time the level reaches 8.5 feet, relay #3 transfers and starts the backup pump.

## ADVANTAGES OF PROVU STYLE METER FOR PUMP CONTROL

- No PLC programming or maintenance
- Easy setup & installation
- Alternate up to eight pumps
- 24 V provided to power the level transmitter
- Local indication of level
- Panel mount, wall mount or exp-proof configurations

## Here's how it works

The level transmitter is powered by the PDC meter. The PDC meter is field scaled to display level in feet. Two of the PDC meter's relays control the main and backup pumps and the other two relays are used for high and low alarms. The pump control relays are programmed to alternate.

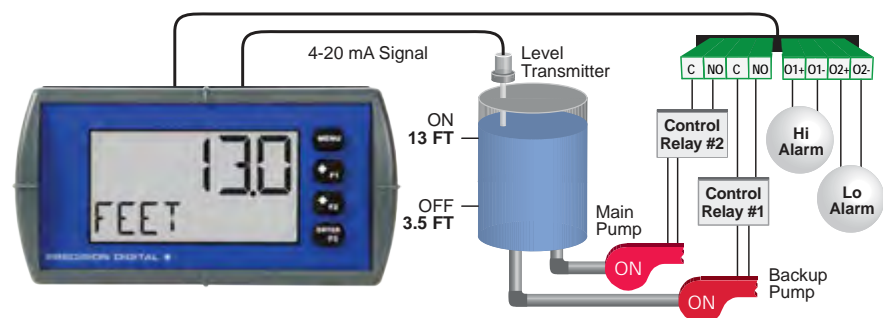
## EXPLOSION-PROOF PUMP CONTROLLER

The PD8-6000 operates in the exact same manner as described above, but it is fully approved as explosion-proof. Its SafeTouch buttons allow it to be operated without removing the cover.



## LOOP LEADER LOOP-POWERED INTRINSICALLY SAFE PUMP CONTROLLER

The PD6606-L2N loop-powered meter can be used as an intrinsically safe pump controller to alternate two pumps and provide high and low level alarm indication. The pumps can be programmed to alternate on level and run time and the meter can display the pump run times and the number of times they have cycled. The one disadvantage of the PD6606 is that it does not provide power to the transmitter.





# PRECISION DIGITAL CORPORATION

Since 1974

## CONTACT

Order from: **C A Briggs Company**

622 Mary Street; Suite 101; Warminster, PA 18974

Phone: 267-673-8117 - Fax: 267-673-8118

[Sales@cabriggs.com](mailto:Sales@cabriggs.com) - [www.cabriggs.com](http://www.cabriggs.com)



### Corporate Office

233 South Street • Hopkinton, MA 01748 USA

Tube

### DISCLAIMER

The information contained in this document is intended to provide an overview of the products described and not intended to be used to specify specific products for specific applications. Refer to individual data sheets for specific details about each product.

This document is subject to change without notice. Precision Digital Corporation makes no representations or warranties with respect to the contents hereof, and specifically disclaims any implied warranties of merchantability or fitness for a particular purpose.

© 2018 Precision Digital Corporation.  
All rights reserved.

LMDSFC\_P 08/18



[www.CABriggs.com](http://www.CABriggs.com)

