

# PRX-100 Series

## Heavy Duty, General Purpose

- Easy to install
- No standby power requirements
- Reliable for over 1 million cycles
- Interchangeable with existing sensors
- Hermetically sealed for longer performance

### Specifications

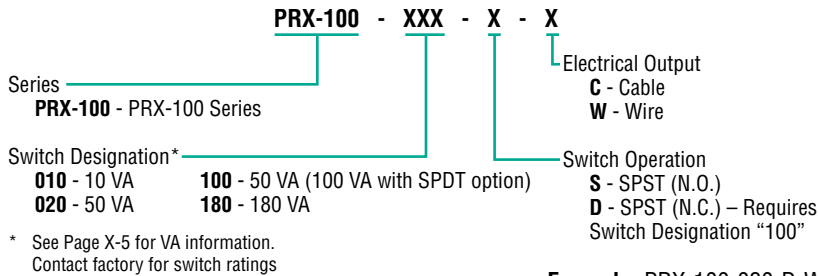
<b>Housing Material</b>	Noryl™ (PPO)
<b>Operating Temperature</b>	-40°F to +194°F (-20°C to +90°C)
<b>Pressure</b>	Atmospheric
<b>Approvals</b>	cULus File # E305671

### Typical Applications

- General Purpose
- Household Appliances
- Security systems
- Door interlocks
- Safety interlocks
- Position indication
- Equipment automation

### How To Order – Two Steps: Select Switch and Magnet

**Step 1:** Configure Switch Part Number from options below.



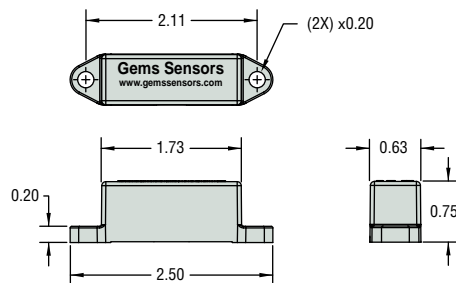
**Example:** PRX-100-020-D-W

**Step 2:** Select an Actuating Magnet to pair with Switch.

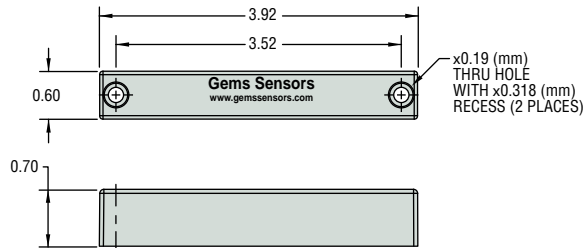
PRX-100 Series actuating magnets are available in both housed assemblies and as bare magnets (See Page K-5).

### Configuration

#### Type 1 Assembly



#### Type 2 Assembly



### How to Order

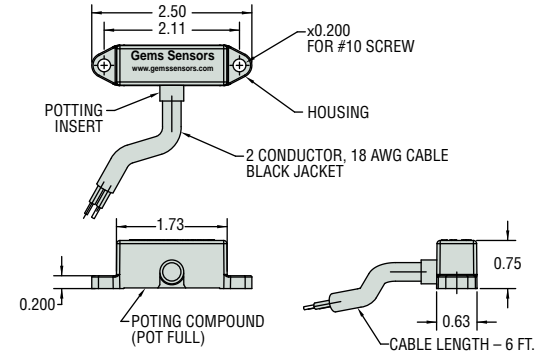
**Magnets for the above Proximity Switches are ordered separately.**  
Select by Configuration, Magnet Type and Size.

Configuration	Magnet Type	Magnet Size		Part Number
		A – Length	B – Diameter	
Type 1 Assembly	Alnico 5	1.5" (38.1 mm)	3/8" (9.5 mm)	<b>217302</b>
	Neo N35H	1.5" (38.1 mm)	3/8" (9.5 mm)	<b>217310</b>
Type 2 Assembly	Alnico 5	2.5" (63.5 mm)	3/8" (9.5 mm)	<b>217301</b>
	Alnico 5	1.5" (38.1 mm)	3/8" (9.5 mm)	<b>222055</b>
	Neo N35H	1.5" (38.1 mm)	3/8" (9.5 mm)	<b>222056</b>



### Dimensions

#### Type C – Cable Output



#### Type W – Wire Output

