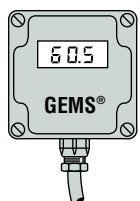
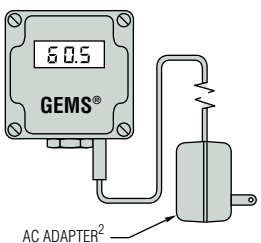
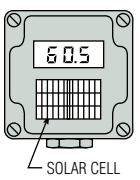


3-Digit Level Cube Receivers

For use with GEMS Transmitters and SureSite® Transmitters.

These compact, low-cost Level Cubes provide accurate, continuous 3-digit readout of liquid level. The indicating range and decimal point location on the display are quickly and easily selectable with the readout plainly visible.

3 Power Choices with NPT or Cable Mounted

9-V Battery Powered	9 VDC/117 VAC Powered	Solar-Powered
		
Part Numbers: 118600—Cable Output 119250—1/2" NPT	Part Numbers: 118620—Cable Output 119270—1/2" NPT	Part Numbers: 118610—Cable Output 119260—1/2" NPT

- Notes:
- 9-V Alkaline Battery Powered Units:** Two batteries (supplied) are snapped into terminals in Cube. On/Off switch available
 - 9 VDC/117 VAC Powered Units:** Power is supplied from AC adapter. A plug, Part Number 119218, is available for use where 7-VDC power is supplied by customer. These units are not watertight.
 - Solar-Powered Units:** Sunlight or a flashlight beam directed on a solar cell in the front cover is all that's needed to operate.

Specifications

Housing Material	Polycarbonate, NEMA-4X, watertight*
Cable Distance from Transmitter	100 feet, Max.
Operating Temperature	+23°F to 131°F (-5°C to +55°C)
Accuracy	± 2%

*Except for 9 VDC/117 VAC Powered Units which are not watertight.

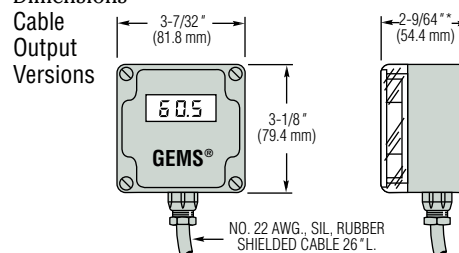
How To Order – Standard Models

Style	Mounting	Part Number
9-V Battery	Cable Output	118600
	1/2" NPT	119250
9 VDC / 117 VAC	Cable Output	118620
	1/2" NPT	119270
Solar	Cable Output	118610
	1/2" NPT	119260

NPT or Cable Mounted

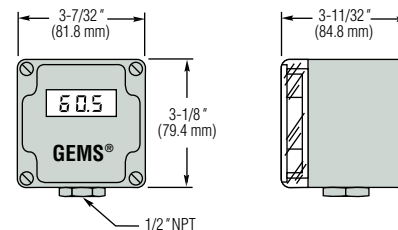


Dimensions

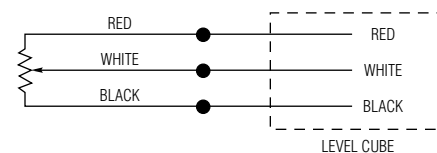


* P/N 118600 9-V Battery = 3-11/32" (84.8 mm) only.

1/2" NPT Versions



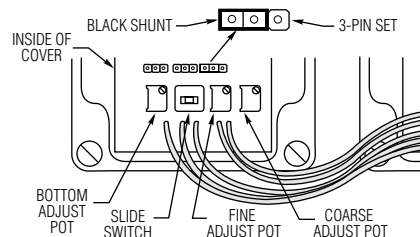
Typical Wiring Diagram



Note: For ullage indication, transpose red and black connections.

Easy to Adjust and Calibrate

Adjustments must be performed with cover removed (see illustration) and power applied. Results are observed on the front display.



To position decimal point: Place black shunt over left two pins of proper 3-pin set for desired decimal in display. For no decimal, place shunt over right two pins of any set.