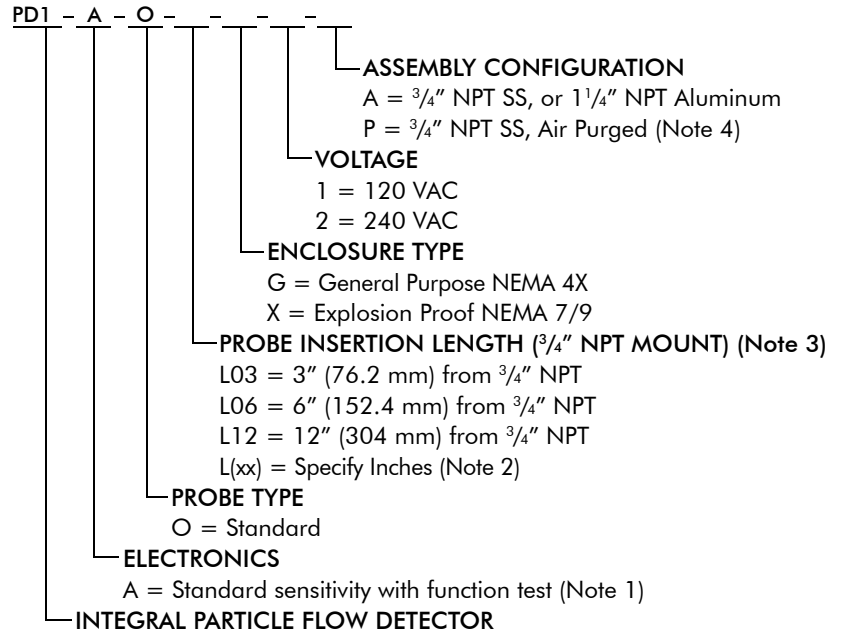


DESCRIPTION Bindicator's Flo-Guard™ is a stable and reliable Broken Bag Detector and a Flow/No-Flow Switch for dry, powdered, and granular materials. The Flo-Guard uses a floating alarm point reference and a digital triboelectric microcontroller to eliminate instability common in other flow switches.



HOW TO ORDER INTEGRAL



FEATURES AND BENEFITS

Fob Function Test

- Tests operation without removing cover

External Alarm and Power LEDs

- Verify operation quickly

Field Selectable Fail-Safe Operation

- Alarms on presence or absence of material flow

Remote Version Available

- For ground level access, high vibration areas, or high temperature applications

Captive Screws

- No lost screws

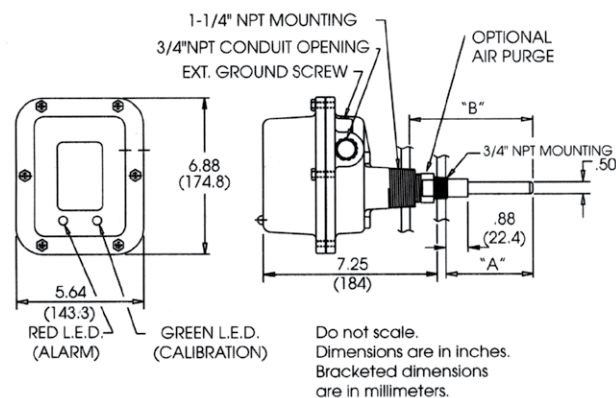
Note 1. Order the external test fob separately. Part No. LPD 130004

Note 2. When ordering the option please specify the probe insertion length in inches (within parenthesis) after special option, i.e. L (18")

Note 3. For insertion length on 1 1/4" NPT mounting, add 1 1/4" (31.75 mm)

Note 4. Not available in explosion proof.

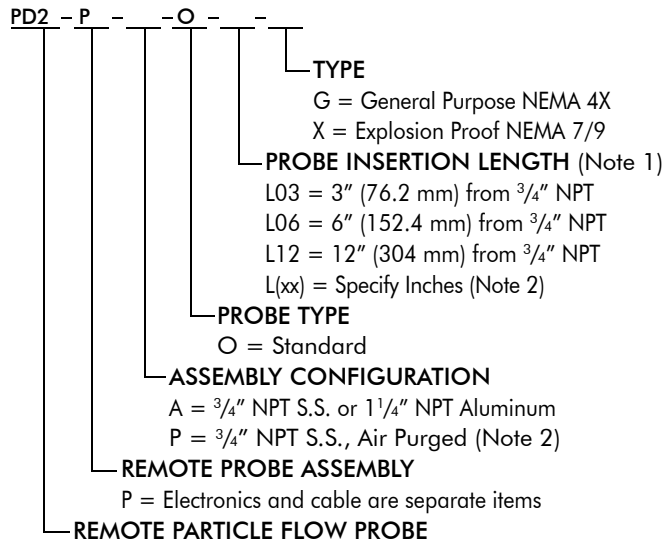
INTEGRAL UNIT DIMENSIONS



PROBE INSERTION

	Dimension A	Dimension B
Active Rod, 3"	3.00	4.38
Active Rod, 6"	6.00	7.38
Active Rod, 12"	12.00	13.38

REMOTE PROBE



Note 1. For insertion length on 1 1/4" NPT mounting, add 1 1/4" (31.75 mm)

Note 2: Not available in explosion proof.

SPECIFICATIONS

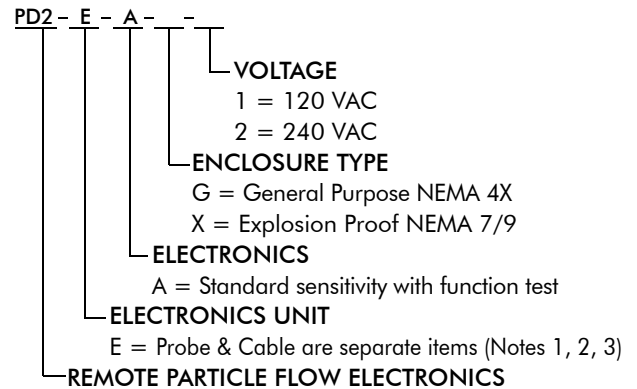
FUNCTIONAL

Output Relay	DPDT, 5A @ 250 VAC or 28 VDC
Input Power	120, 240 VAC @ 5 watts; 60 Hz
Temperature Range	-40° to 180° F (-40° to 80° C)
Probe	325° F (162° C) maximum
Pressure	30 psi (211 kg/cm ²) 1 1/4" NPT aluminum mount 50 psi (3.5 kg/cm ²) 3/4" NPT SS mount
Time Delay	0, 5, 10 or 15 seconds field selectable for ON or OFF
Failsafe	Field adjustable to alarm at presence or absence of material flow

PHYSICAL

Senses Dust at bottom	0.00028 grams/ft ³
Enclosure Ratings	General purpose NEMA 4X Explosion-proof NEMA 7/9
Enclosure Material	Polyester coated aluminum
Mounting	1 1/4" NPT aluminum or 3/4" NPT SS
Air Purge	1/4" NPT SS
Probe Material	316 SS
Insulation Material	Teflon®
Air Purged	Maximum 1 psi recommended
APPROVALS	
	Hazardous Location: UL (US and Canada) Class I, Groups C & D, Class II, Groups E, F, G

REMOTE ELECTRONICS

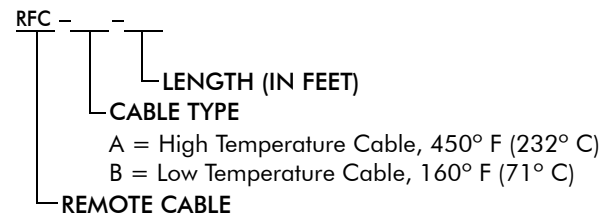


Note 1. The total length of cable is not to exceed 250 feet (76.2 m) from electronics

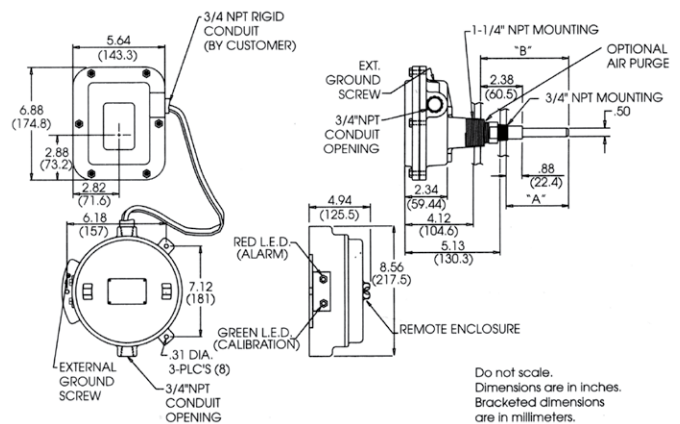
Note 2. Order remote cable assembly as a separate item.

Note 3. Order external test fob separately, Part No. LPD 130005

REMOTE CABLE



REMOTE UNIT DIMENSIONS



Do not scale.
Dimensions are in inches.
Bracketed dimensions are in millimeters.

PROBE INSERTION

	Dimension A	Dimension B
Active Rod, 3"	3.00	4.38
Active Rod, 6"	6.00	7.38
Active Rod, 12"	12.00	13.38



Order from: **C A Briggs Company**

622 Mary Street; Suite 101; Warminster, PA 18974

Phone: 267-673-8117 - Fax: 267-673-8118

Sales@cabriggs.com - www.cabriggs.com

venture
MEASUREMENT

LPD180000 Rev. F

2013 All rights reserved.

All data subject to change without notice.